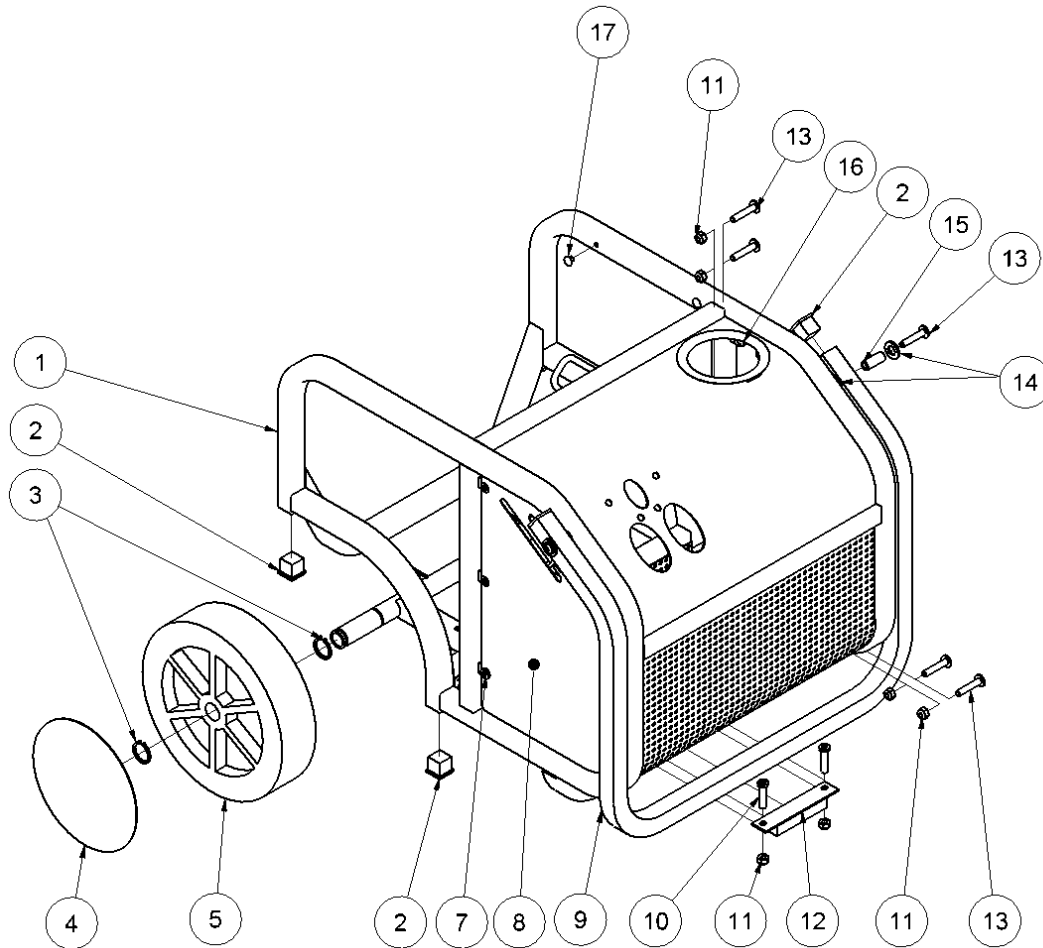


HPP06 spare parts list

Serial number 5688-14774

Fig. 1

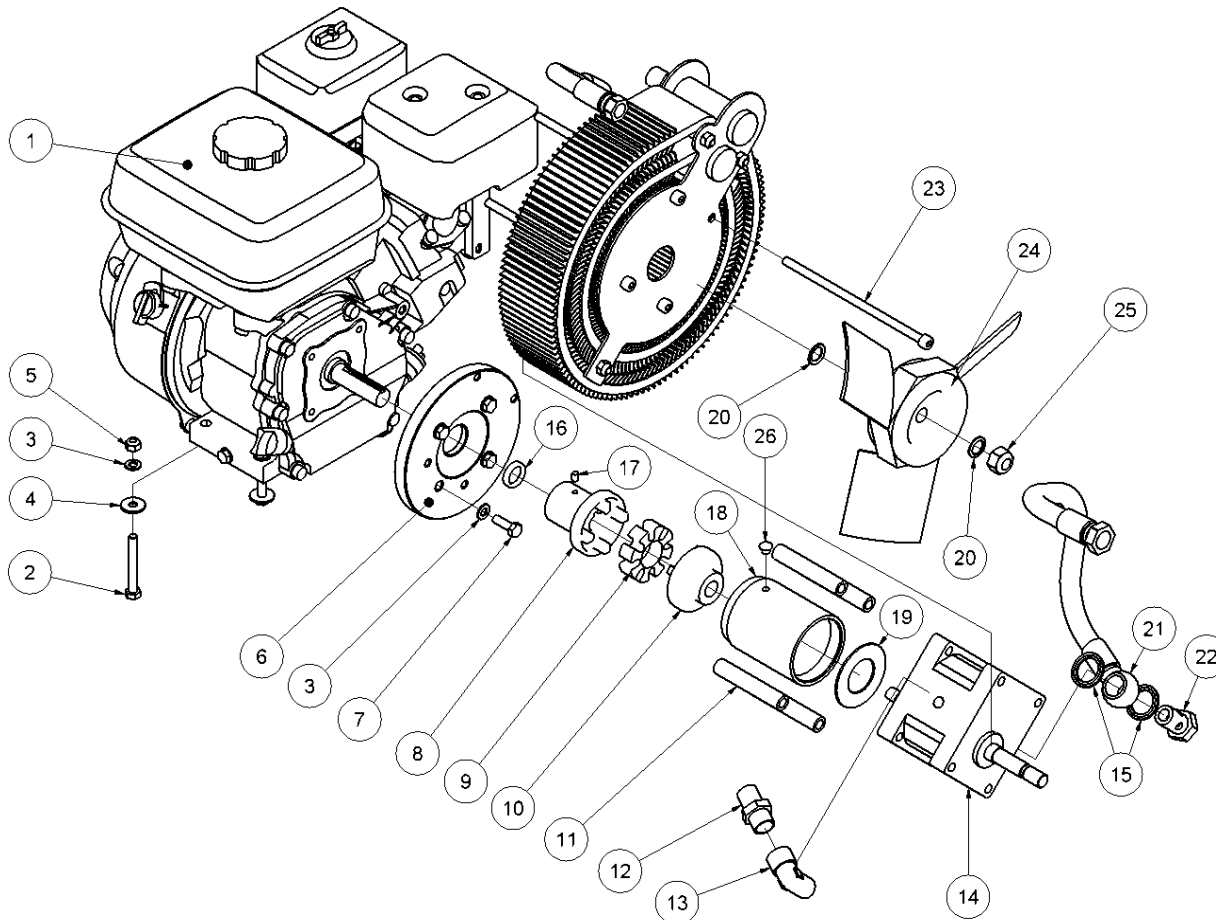


Pos.	Part No.	Description	Pcs.
1	8222286	Chassis complete HPP06	1
2	7721125	Tube plug 25x25	6
3	7621098	Retaining ring 25x2	4
4	7721140	Wheel cover	2
5	7721138	Wheel	2
7	7621042	Screw M8x10	10
8	8222297	Side cover set HPP06	1
9	8222291	Handle	1
10	7621046	Screw M8x35	2
11	7621010	Lock nut M8	6
12	8721095	Rubber foot	1
13	7621795	Screw M8x40 <i>20 Nm (Loctite 243 at handle)</i>	6
14	7631457	Washer $\varnothing 13/\varnothing 24 \times 2.5$	4
15	8222298	Bushing f/handle	2
16	9021563	Rubber band	1
17	7722323	Plastic plug	4

HPP06 spare parts list

Serial number 5688-14774

Fig. 2

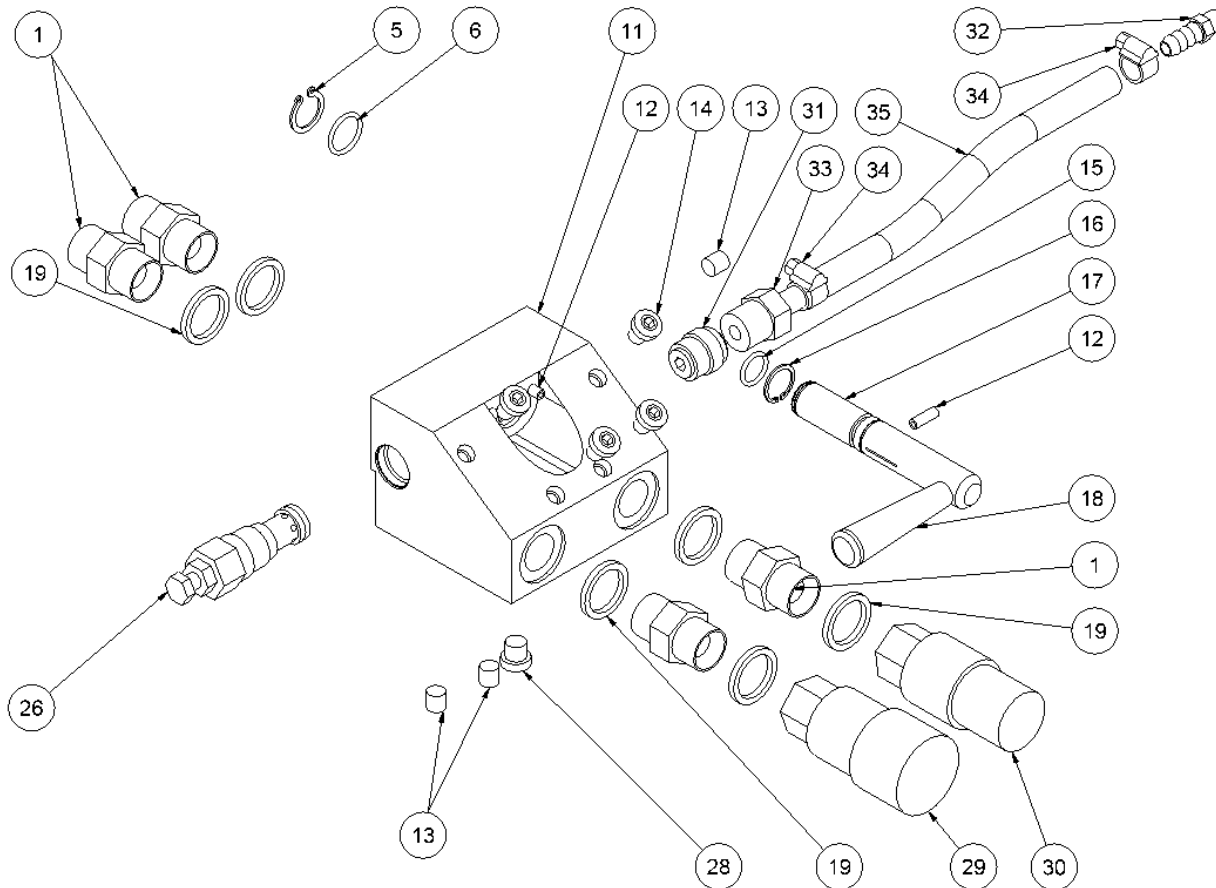


Pos.	Part No.	Description	Pcs.
1	7322292	Engine 6.5 HP Honda GX200	1
2	7621048	Screw M8x65	4
3	7621171	Washer M8	8
4	7621035	Washer M8	4
5	7621010	Lock nut M8	4
6	8222295	Flange	1
7	7621038	Screw 5/16" UNFx25 20 Nm - Loctite 243	4
8	7422293	Coupling engine part	1
9	7421083	Rubber coupling	1
10	7421067	Coupling pump	1
11	8222296	Distance tube	4
12	7421080	Hose fitting 3/4"x1/2" Loctite 542	1
13	7421060	Angle nipple 1/2" Loctite 542	1
14	7423280	Pump 6.3 ccm	1
-	9021667	Seal kit for hydraulic pump	1
15	7521118	Seal ring 3/4"	2
16	8222322	Distance bushing	1
17	7621032	Set screw M6x8 5 Nm - Loctite 243	1
18	8222294	Coupling housing	1
19	9922133	Centering washer	1
20	7621117	Spring washer M14	2
21	8722299	Pressure hose	1
22	7421062	Banjo bolt 1/2" 80 Nm	1
23	7622331	Screw M8x190 20 Nm	4
24	8321130	Fan ø280-3	1
25	7621111	Nut M14x1.5 40 Nm	1
26	7722323	Plastic plug	1
-	2121103	Cooler complete See fig. 6	1

HPP06 spare parts list

Serial number 5688-14774

Fig. 3

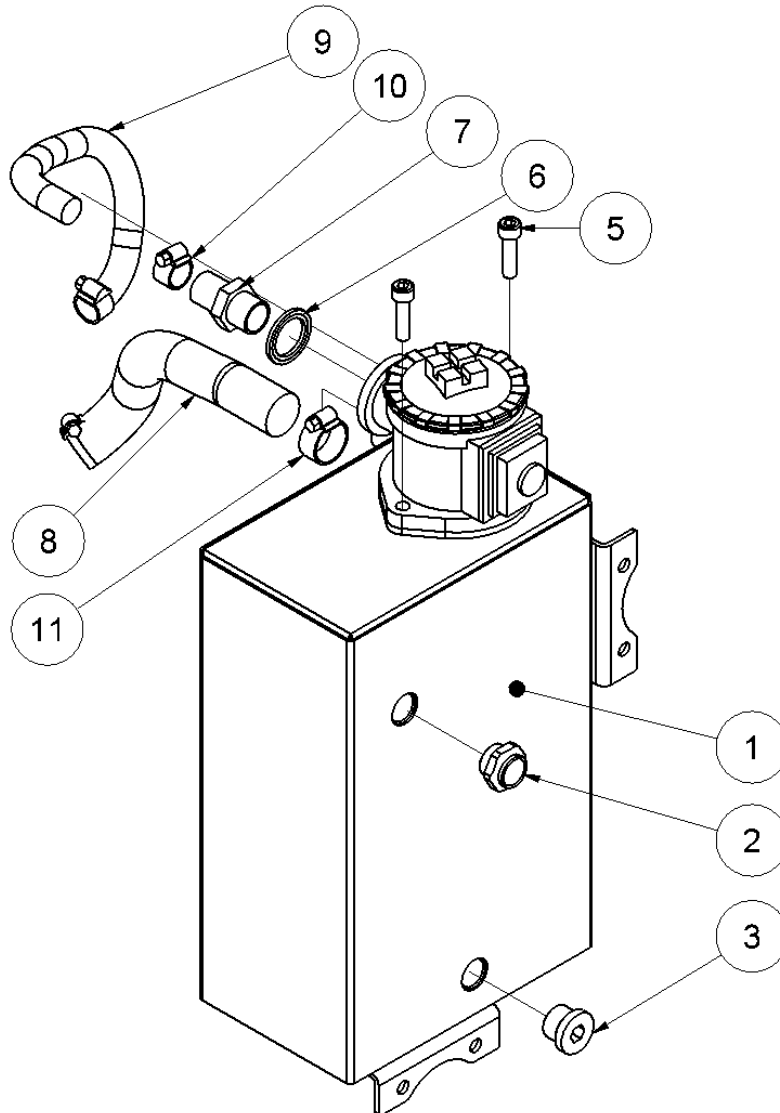


Pos.	Part No.	Description	Pcs.
1	7421063	Fitting 1/2"x1/2" BSP	4
5	7621606	Retaining ring A17	1
6	7521609	O-ring 17x2 mm	1
11	8221731	Valve block	1
12	7621050	Roll pin \varnothing 5x14	3
13	7621037	Pipe plug 1/8" <i>Loctite 542</i>	3
14	7621044	Screw M8x16 <i>15 Nm</i>	4
15	7521608	O-ring 13x2 mm	1
16	7621607	Retaining ring AV17	1
17	8221605	Spool	1
18	7721094	Lever ON/OFF <i>Loctite 243</i>	1
19	7521072	Seal ring 1/2"	6
26	7421587	Pressure relief valve <i>40 Nm</i>	1
28	7621323	Threaded plug 1/8" w/seal	1
29	7401142	Q.R. coupling 1/2" BSP female	1
30	7401141	Q.R. coupling 1/2" BSP male	1
31	7421733	Check valve	1
32	7421734	Hose fitting 3/8"x1/8" <i>Loctite 542</i>	1
33	7421735	Hose fitting 3/8"x1/2" <i>Loctite 542</i>	1
34	7421740	Hose clip 3/8"	2
35	9021739	Hose 3/8"	1

HPP06 spare parts list

Serial number 5688-14774

Fig. 4

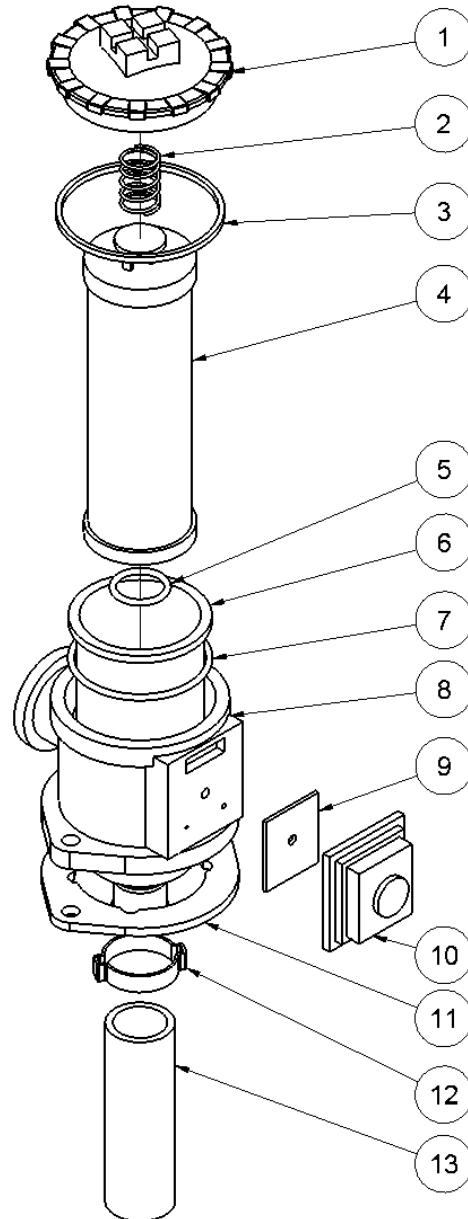


Pos.	Part No.	Description	Pcs.
1	8222290	Hydraulic tank	1
2	7721099	Sight glass 1/2" w/seal	1
3	7621075	Threaded plug 1/2" w/seal	1
4	8421092	Filter complete	1
5	7621045	Screw M8x30 <i>Loctite 243</i>	2
6	7521118	Seal ring 3/4"	1
7	7421079	Hose fitting 1/2"x3/4" <i>Loctite 542</i>	1
8	8722304	3/4" hose	1
9	8722303	1/2" hose	1
10	7421081	Hose clip 1/2"	2
11	7421082	Hose clip 3/4"	2

HPP06 spare parts list

Serial number 5688-14774

Fig. 5

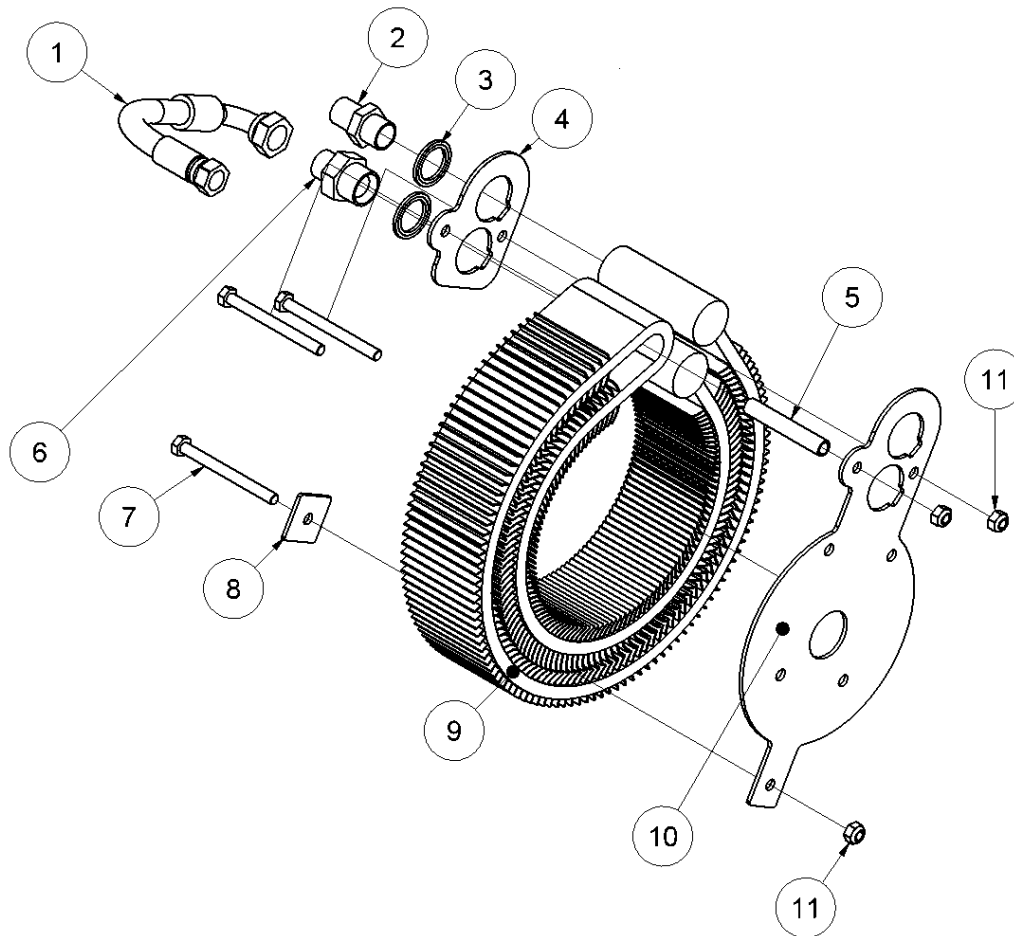


Pos.	Part No.	Description	Pcs.
1	9421189	Filter cover	1
2	9421193	Filter spring	1
3	9421502	Seal f/filter cover <i>Also included in 9421188</i>	1
4	9421190	Filter element	1
5	-	O-ring $\varnothing 3 \times 22$ <i>Included in 9421188</i>	1
6	-	Filter cup	1
7	-	O-ring $\varnothing 3 \times 60$ <i>Included in 9421188</i>	1
8	-	Filter housing	1
9	9422041	Ventilation filter	1
10	9422042	Cover f/ventilation filter	1
11	-	Seal <i>Included in 9421188</i>	1
12	7621789	Hose clamp	1
13	9022043	Filter hose	1
-	9421188	Seal kit filter <i>Pos. 3, 5, 7 and 11</i>	1
-	8421092	Filter complete <i>Pos. 1-13</i>	1

HPP06 spare parts list

Serial number 5688-14774

Fig. 6



Pos.	Part No.	Description	Pcs.
1	8722305	Cooler pressure hose	1
2	7421079	Hose fitting 1/2"x3/4" <i>Loctite 542</i>	1
3	7521118	Seal ring 3/4"	2
4	-	Plate	1
5	-	Distance tube $\varnothing 12 \times 1.5$	1
6	7421582	Fitting 1/2"x3/4" <i>Loctite 542</i>	1
7	-	Screw M8x90	3
8	-	Plate	1
9	-	Cooler $\varnothing 280-12$	1
10	-	Bracket for cooler	1
11	7621010	Lock nut M8 8 Nm	3
-	2121103	Cooler complete <i>Pos. 4-5, 7-11</i>	1