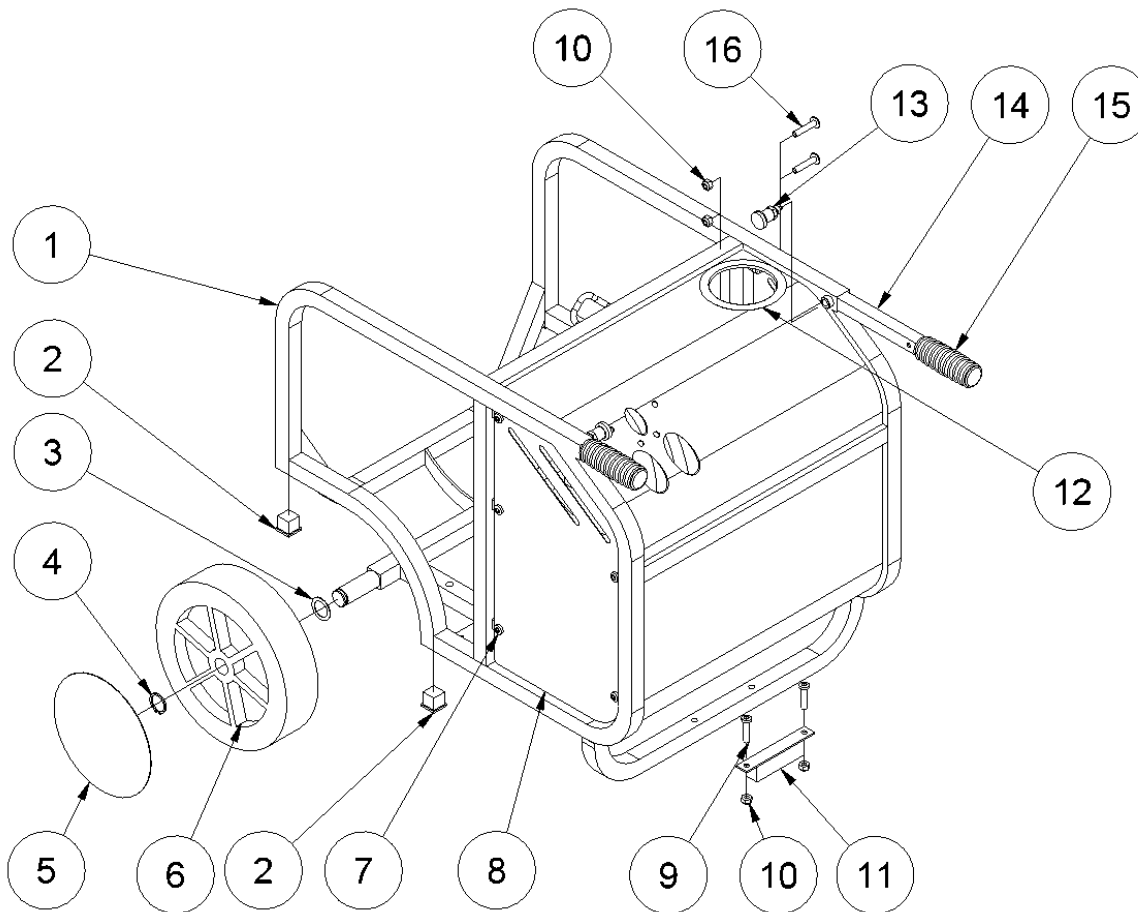


HPP09 spare parts list

Serial number 1498-14711

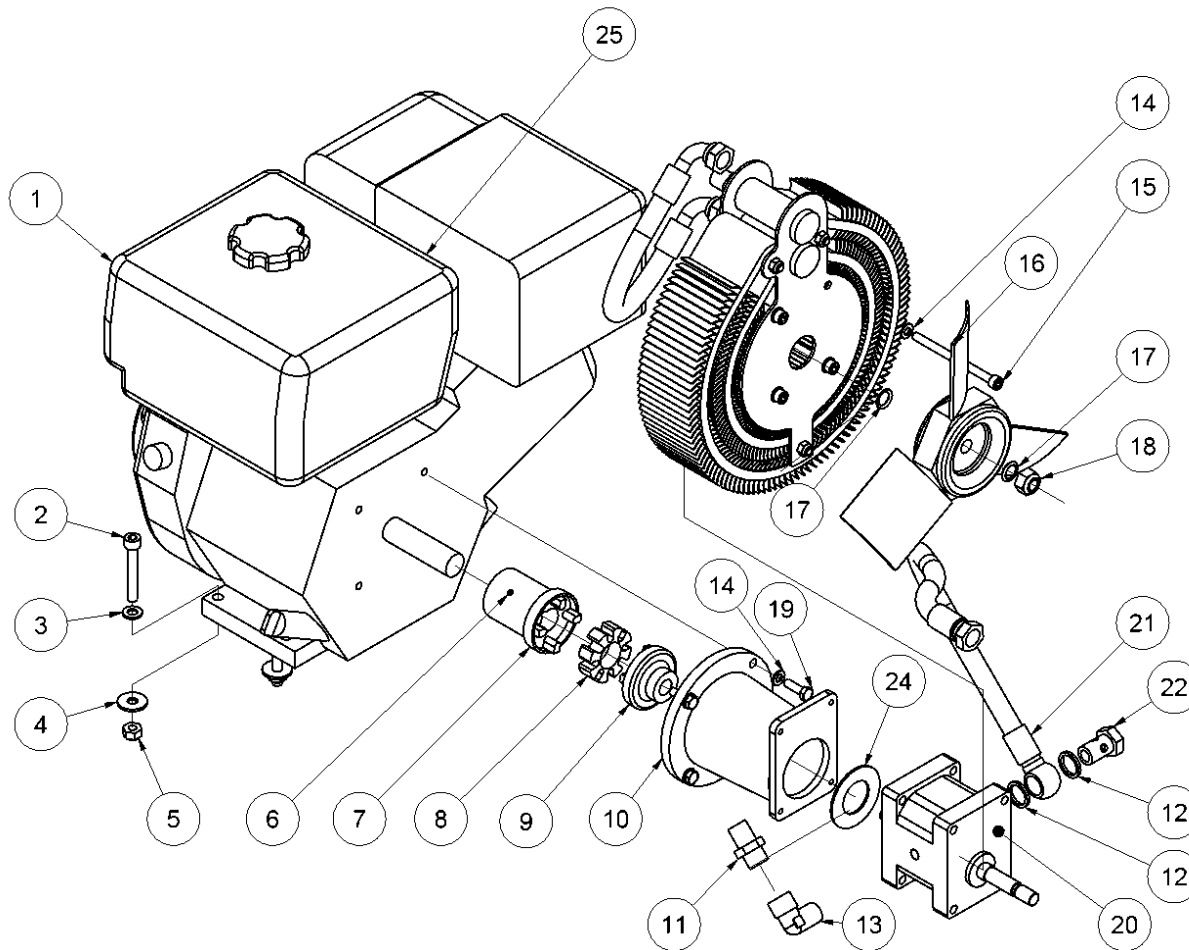
Fig. 1



Pos.	Part No.	Description	Pcs.
1	8221001	Chassis complete HPP09/09E	1
2	7721125	Tube plug 25x25	4
3	7621100	Shim ring 25/35/1 mm	2
4	7621098	Retaining ring 25x2	2
5	7721140	Wheel cover	2
6	7721138	Wheel	2
7	7621042	Screw M8x10	10
8	8221020	Side cover set HPP09/09E	1
9	7621046	Screw M8x35	2
10	7621010	Lock nut M8	4
11	8721095	Rubber foot	1
12	9021563	Rubber band	1
13	7721197	Bolt <i>Loctite 243</i>	2
14	9022429	Pull-out handle w/rubber grip	2
15	-	Rubber grip (incl. In 9022429)	-
16	7621795	Screw M8x40 <i>Only from serial No. 1545</i>	2

HPP09 spare parts list
Serial number 1498-14711

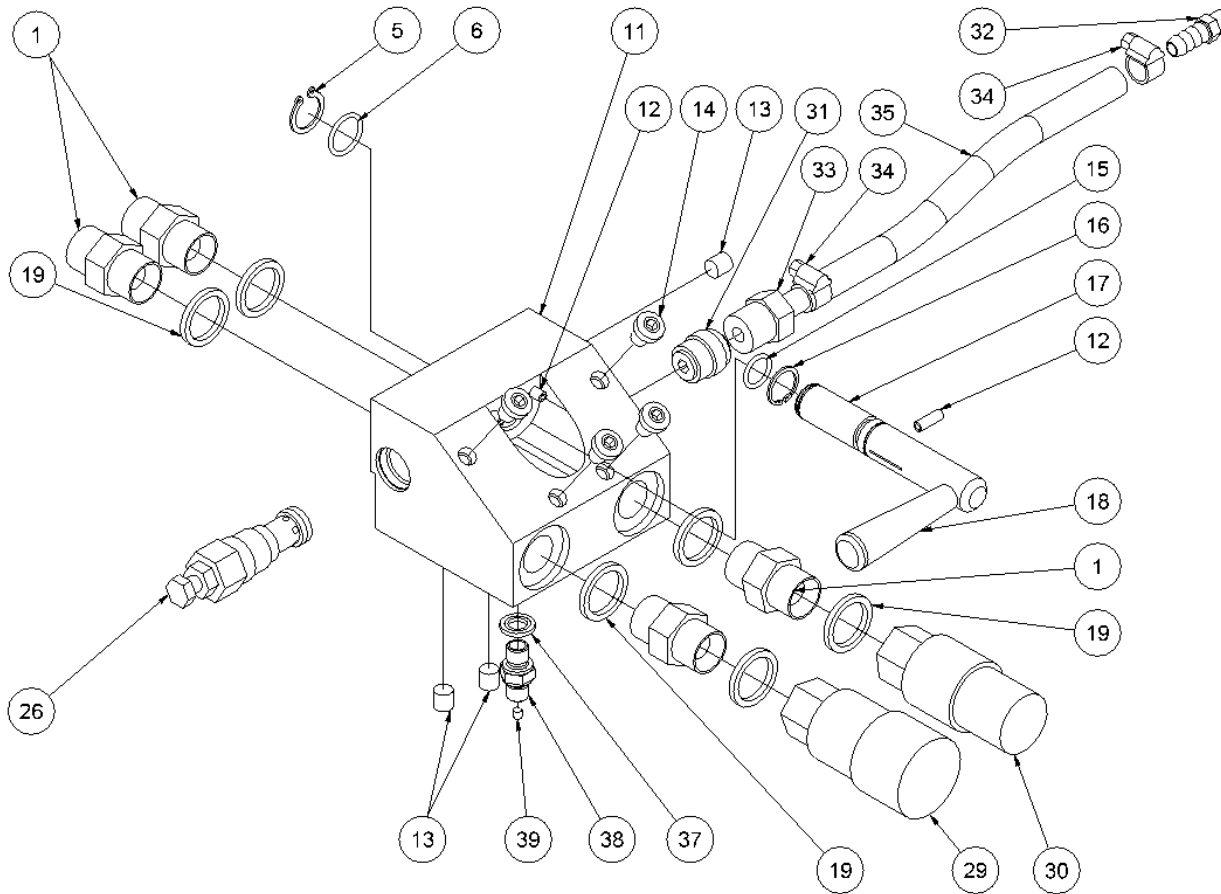
Fig. 2



Pos.	Part No.	Description	Pcs.
1	7321143	Engine 9 HP Honda GX270	1
2	7621039	Screw M10x65	4
3	7621172	Washer M10	4
4	7621034	Washer M10	4
5	7621027	Nut M10	4
6	7621032	Set screw M6x8 <i>Loctite 243 - 5 Nm</i>	1
7	7421066	Coupling engine part	1
8	7421083	Rubber coupling	1
9	7421067	Coupling pump	1
10	7421068	Coupling housing	1
11	7421080	Hose fitting 3/4"x1/2" <i>Loctite 543</i>	1
12	7521072	Seal ring 1/2"	2
13	7421060	Angle nipple 1/2" <i>Loctite 542</i>	1
14	7621171	Washer M8	8
15	7621043	Screw M8x110 <i>Loctite 243 - 15 Nm</i>	4
16	8321130	Fan ø280-3	1
17	7621117	Spring washer M14	2
18	7621111	Nut M14x1.5 <i>40 Nm</i>	1
19	7621038	Screw 5/16" UNFx25 <i>Loctite 243 - 20 Nm</i>	4
20	7421076	Pump 6.3 ccm	1
-	9021667	Seal kit for hydraulic pump	1
21	8721084	Feed line w/banjo	1
22	7421062	Banjo bolt 1/2" <i>80 Nm</i>	1
24	9922133	Centering washer	1
25	8621137	Tension spring 0.90x9.10x23	1
-	2121103	Cooler complete <i>See fig. 7</i>	1

HPP09 spare parts list
Serial number 1498-14711

Fig. 3

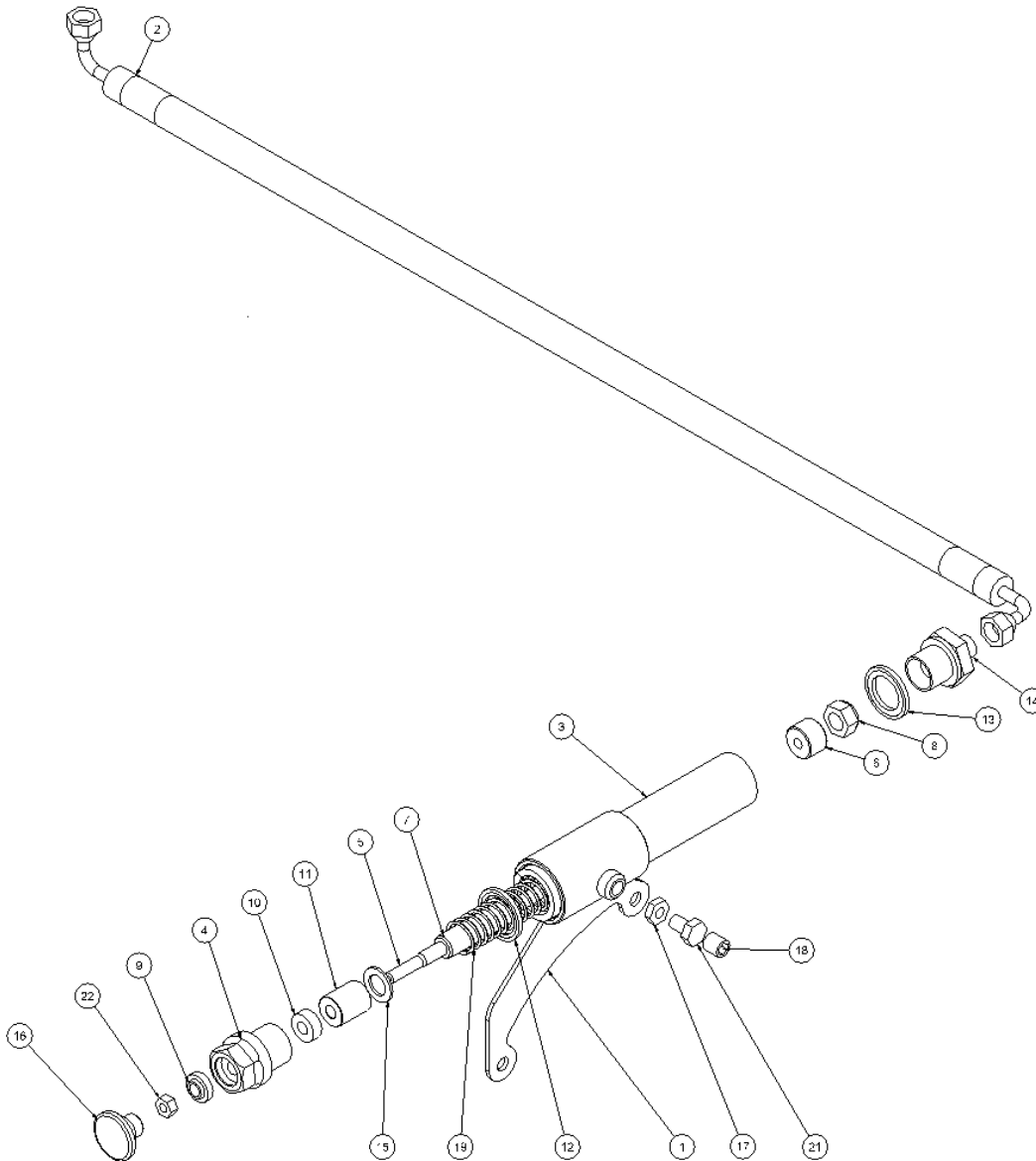


Pos.	Part No.	Description	Pcs.
1	7421063	Fitting 1/2"x1/2" BSP	4
5	7621606	Retaining ring A17	1
6	7521609	O-ring 17x2 mm	1
11	8221761	Valve block <i>Up to serial No. 5338</i>	1
11	8221731	Valve block <i>From serial No. 5339</i>	1
12	7621050	Roll pin $\varnothing 5 \times 14$	3
13	7621037	Pipe plug 1/8" <i>Loctite 542</i>	3
14	7621044	Screw M8x16	4
15	7521608	O-ring 13x2 mm	1
16	7621607	Retaining ring AV17	1
17	8221605	Spool	1
18	7721094	Lever ON/OFF <i>Loctite 243</i>	1
19	7521072	Seal ring 1/2"	6
26	7421056	Pressure relief valve <i>30 Nm - up to serial No. 5338</i>	1
26	7421587	Pressure relief valve <i>40 Nm - from serial No. 5339</i>	1
29	7401142	Q.R. coupling 1/2" BSP female	1
30	7401141	Q.R. coupling 1/2" BSP male	1
31	7421733	Check valve	1
32	7421734	Hose fitting 3/8"x1/8" <i>Loctite 542</i>	1
33	7421735	Hose fitting 3/8"x1/2" <i>Loctite 542</i>	1
34	7421740	Hose clip 3/8"	2
35	9021768	Hose 3/8"	1
37	7521064	Seal ring 1/8"	1
38	8221024	Fitting 1/8"x1/8"	1
39	7421073	Fitting with reduction M4	1
-	2121741	Valve block complete	1

HPP09 spare parts list

Serial number 1498-14711

Fig. 4

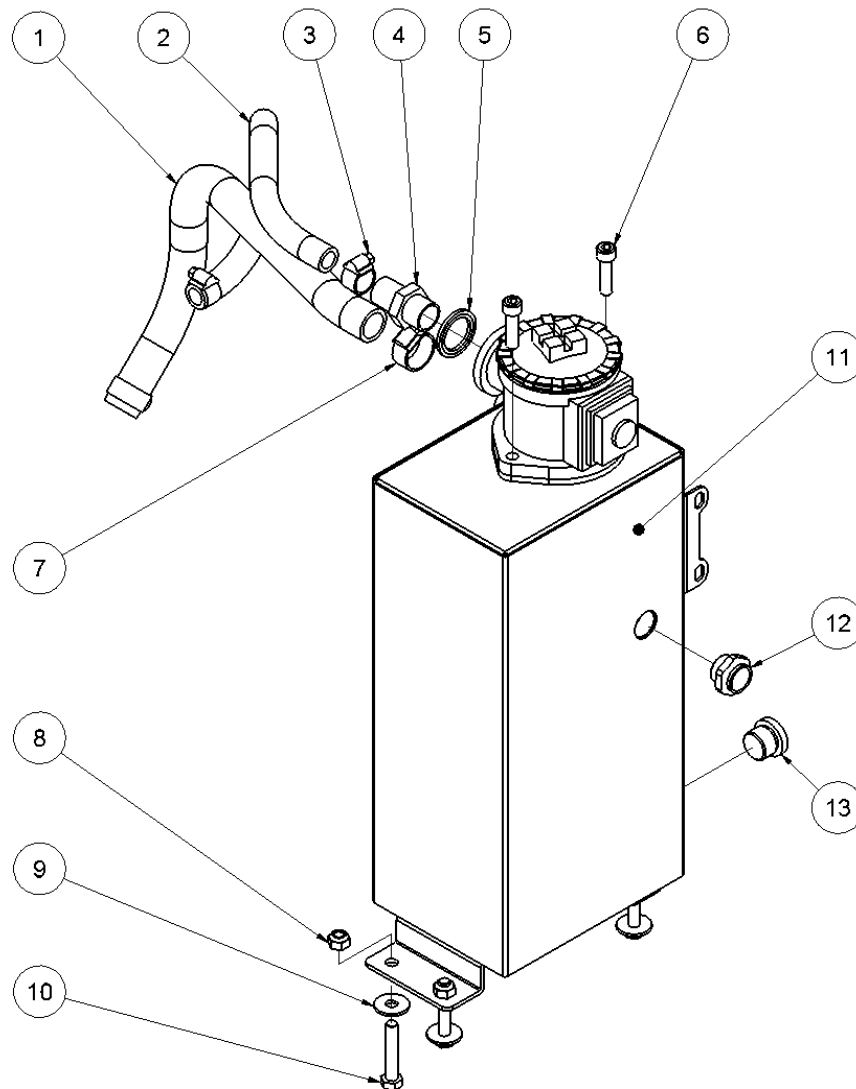


Pos.	Part No.	Description	Pcs.
1	8221087	POR bracket complete HPP09	1
2	8721074	POR hose HPP09	1
3	8221005	POR cylinder	1
4	8221006	Seal housing	1
5	8221007	Piston rod	1
6	8221008	Piston	1
7	8221009	Distance pipe	1
8	7621029	Nut M6	1
9	7521013	Seal	1
10	7521014	Seal	1
11	8221015	Guide element, bronze	1
12	7521018	Seal ring POR 18/24x2	1
13	7521017	Seal ring 3/8"	1
14	7421012	Fitting 3/8"x1/8"	1
15	7621021	Washer SS 10x16x1.2	1
16	8221131	POR head <i>Loctite 243</i>	1
17	7621028	Nut M6	1
18	7621031	Set screw M8x8	1
19	8621019	Compression spring	1
21	7621040	Screw M6x10	1
22	7621011	Nut M5 <i>Loctite 243</i>	1
-	2121106	POR complete <i>Pos. 3-16, 19, 22</i>	1

HPP09 spare parts list

Serial number 1498-14711

Fig. 5

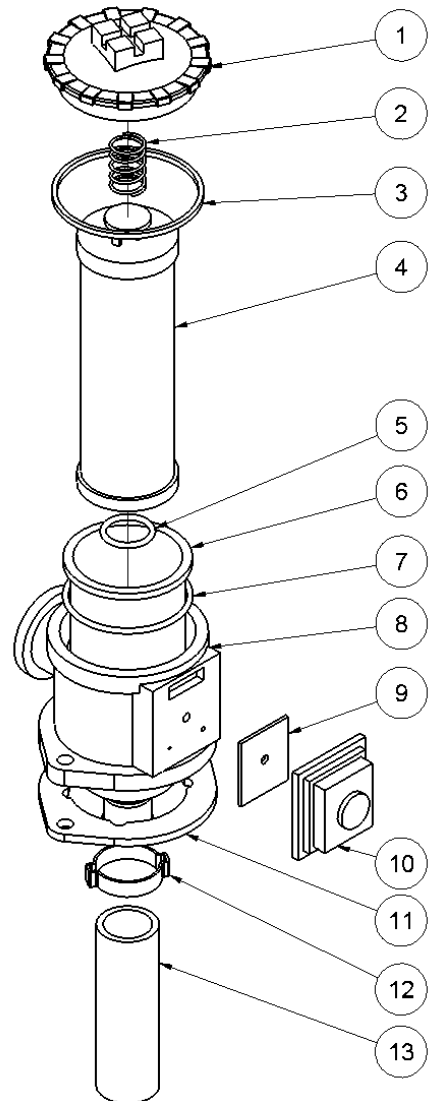


Pos.	Part No.	Description	Pcs.
1	8721071	3/4" hose	1
2	8721070	1/2" hose	1
3	7421081	Hose clip 1/2"	2
4	7421079	Hose fitting 1/2"x3/4"	1
5	7521118	Seal ring 3/4"	1
6	7621045	Screw M8x30 <i>Loctite 243</i>	2
7	7421082	Hose clip 3/4"	2
8	7621010	Lock nut M8	4
9	7621035	Washer M8	4
10	7621049	Screw M8x45	4
11	8221153	Hydraulic tank	1
12	7721099	Sight glass 1/2" w/seal	1
13	7621075	Threaded plug 1/2" w/seal	1

HPP09 spare parts list

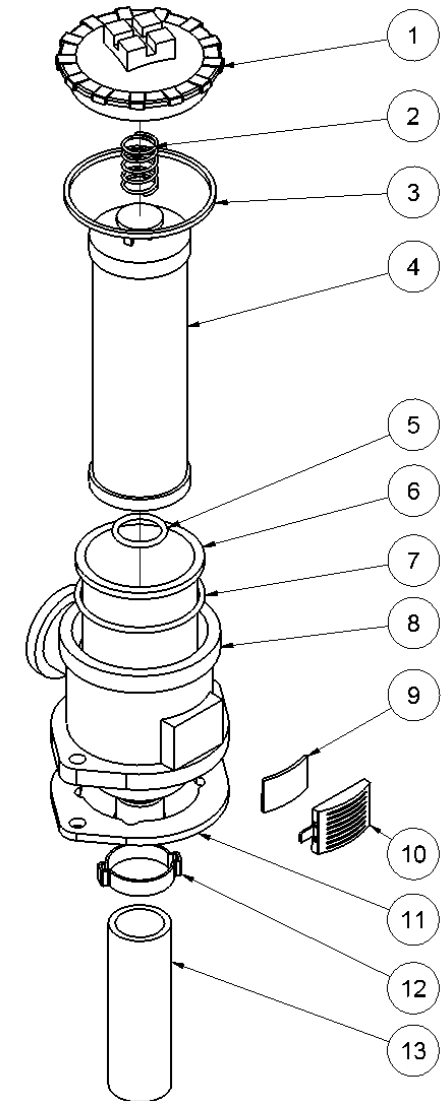
Serial number 1498-14711

Fig. 6 NEW TYPE



Pos.	Part No.	Description	Pcs.
1	9421189	Filter cover	1
2	9421193	Filter spring	1
3	9421502	Seal f/filter cover <i>Also included in 9421188</i>	1
4	9421190	Filter element	1
5	-	O-ring $\varnothing 3 \times 22$ <i>Included in 9421188</i>	1
6	-	Filter cup	1
7	-	O-ring $\varnothing 3 \times 60$ <i>Included in 9421188</i>	1
8	-	Filter housing	1
9	9421191	Ventilation filter <i>Old type</i>	1
9	9422041	Ventilation filter <i>New type</i>	1
10	9421192	Cover f/ventilation filter <i>Old type</i>	1
10	9422042	Cover f/ventilation filter <i>New type</i>	1
11	-	Seal <i>Included in 9421188</i>	1
12	7621789	Hose clamp	1
13	9022043	Filter hose	1
-	9421188	Seal kit filter <i>Pos. 3, 5, 7 and 11</i>	1
-	8421092	Filter complete <i>Pos. 1-13</i>	1

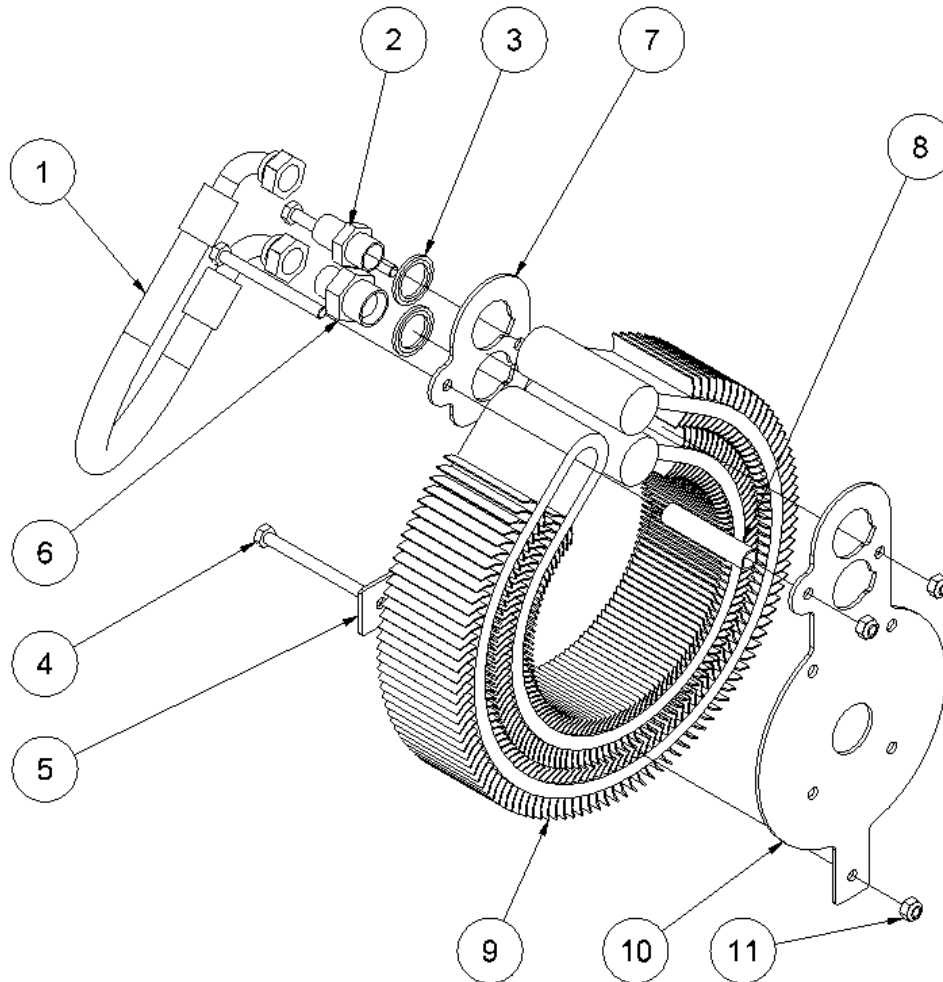
OLD TYPE



HPP09 spare parts list

Serial number 1498-14711

Fig. 7



Pos.	Part No.	Description	Pcs.
1	8721630	Cooler pressure hose	1
2	7421079	Hose fitting 1/2"x3/4"	1
3	7521118	Seal ring 3/4"	2
4	7621047	Screw M8x90	3
5	8221121	Plate	1
6	7421582	Fitting 1/2"x3/4"	1
7	8221116	Plate	1
8	8221086	Distance pipe $\varnothing 12 \times 1.5$	1
9	8321093	Cooler $\varnothing 280-12$	1
10	8221112	Bracket for cooler	1
11	7621010	Lock nut M8	3
-	2121103	Cooler complete <i>Pos. 4-5, 7-11</i>	1