

HRD28X Spare Parts List

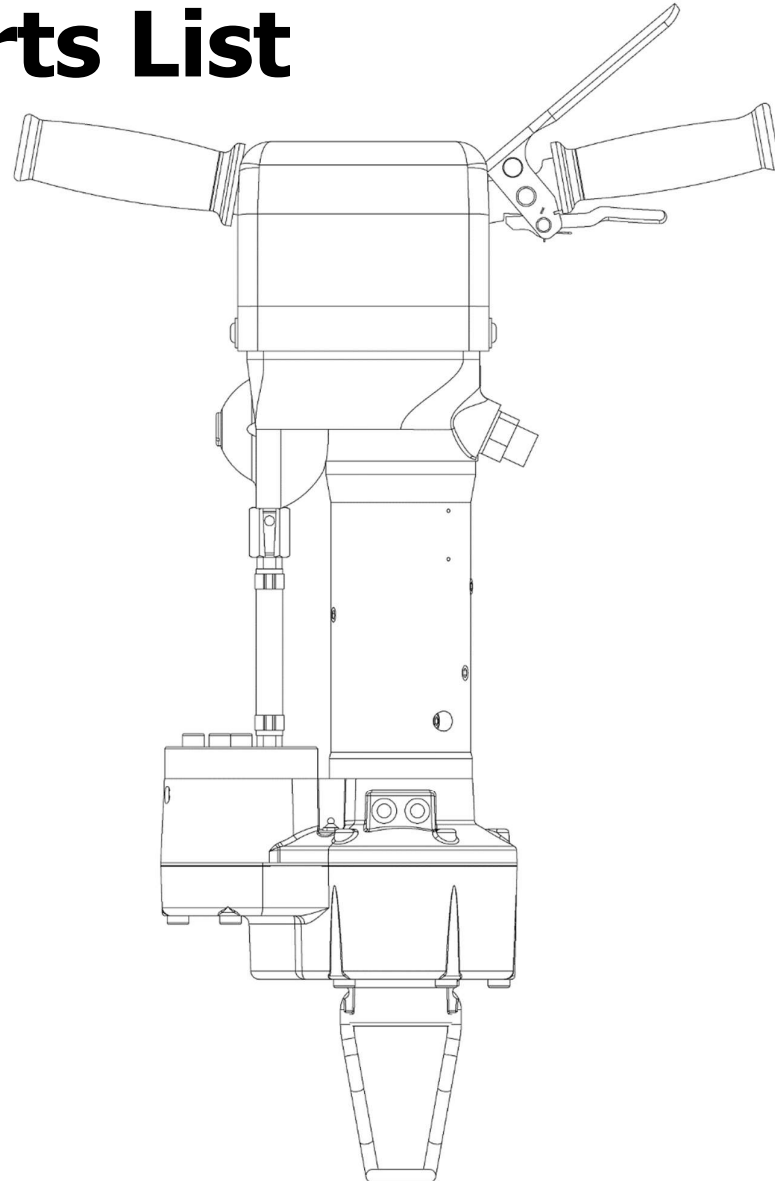
HYCON Rock Drill

**From Serial No.
19461 -**

 **KW Hydraulik**
Aggregate und Werkzeuge
www.kw-hydraulik.de info@kw-hydraulik.de +49 3675 421980

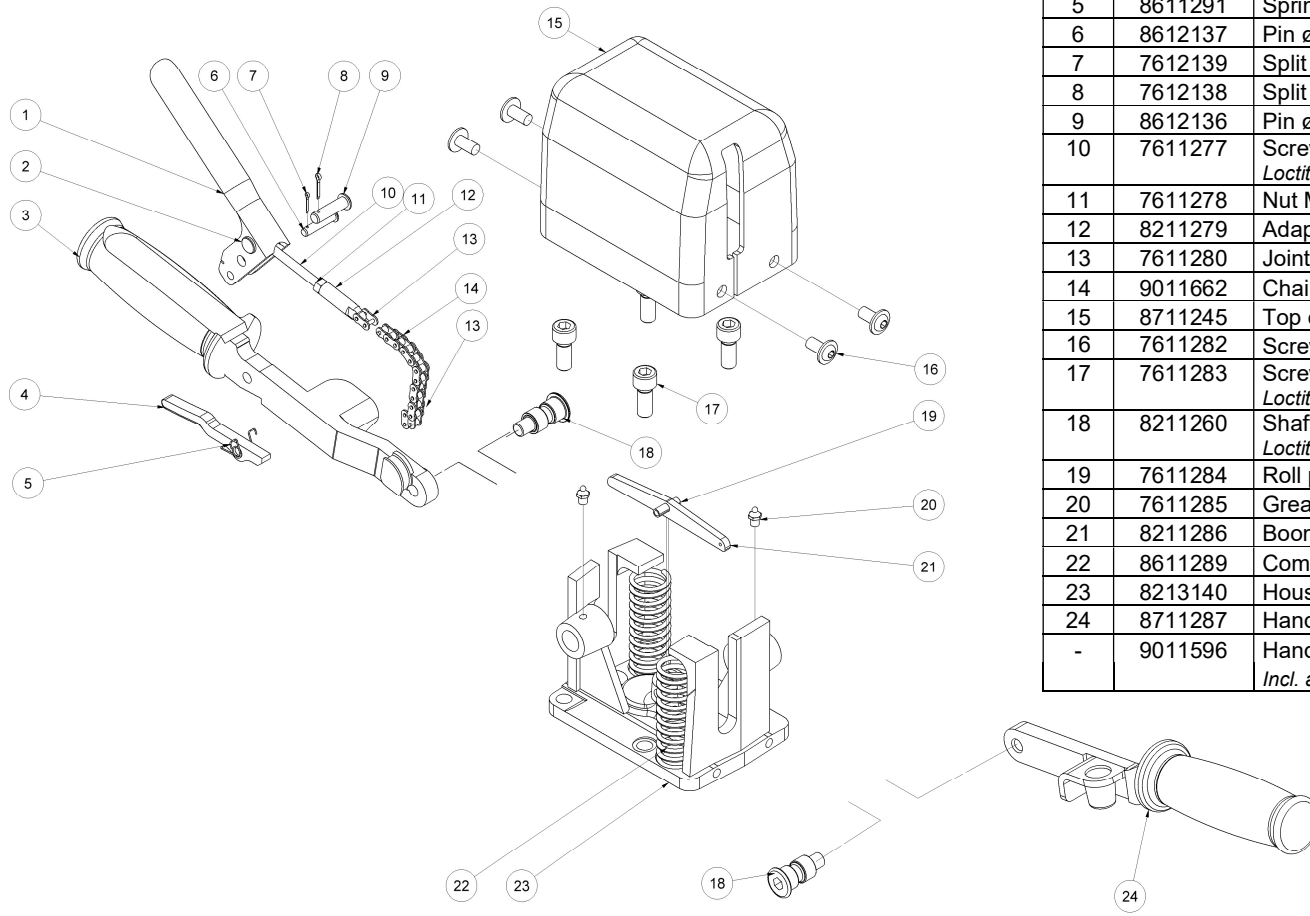


Revised 01-03-2022



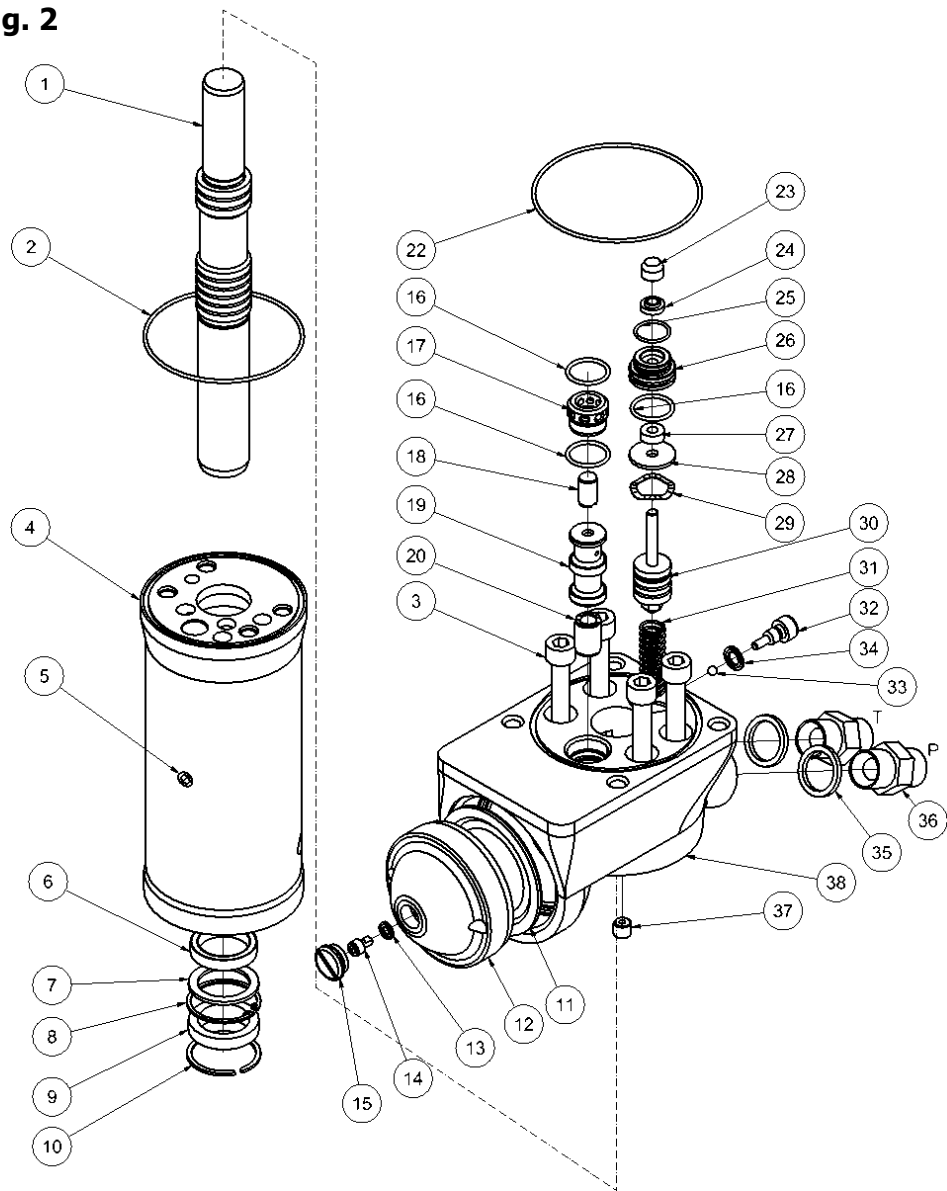
HRD28X parts list

Fig. 1



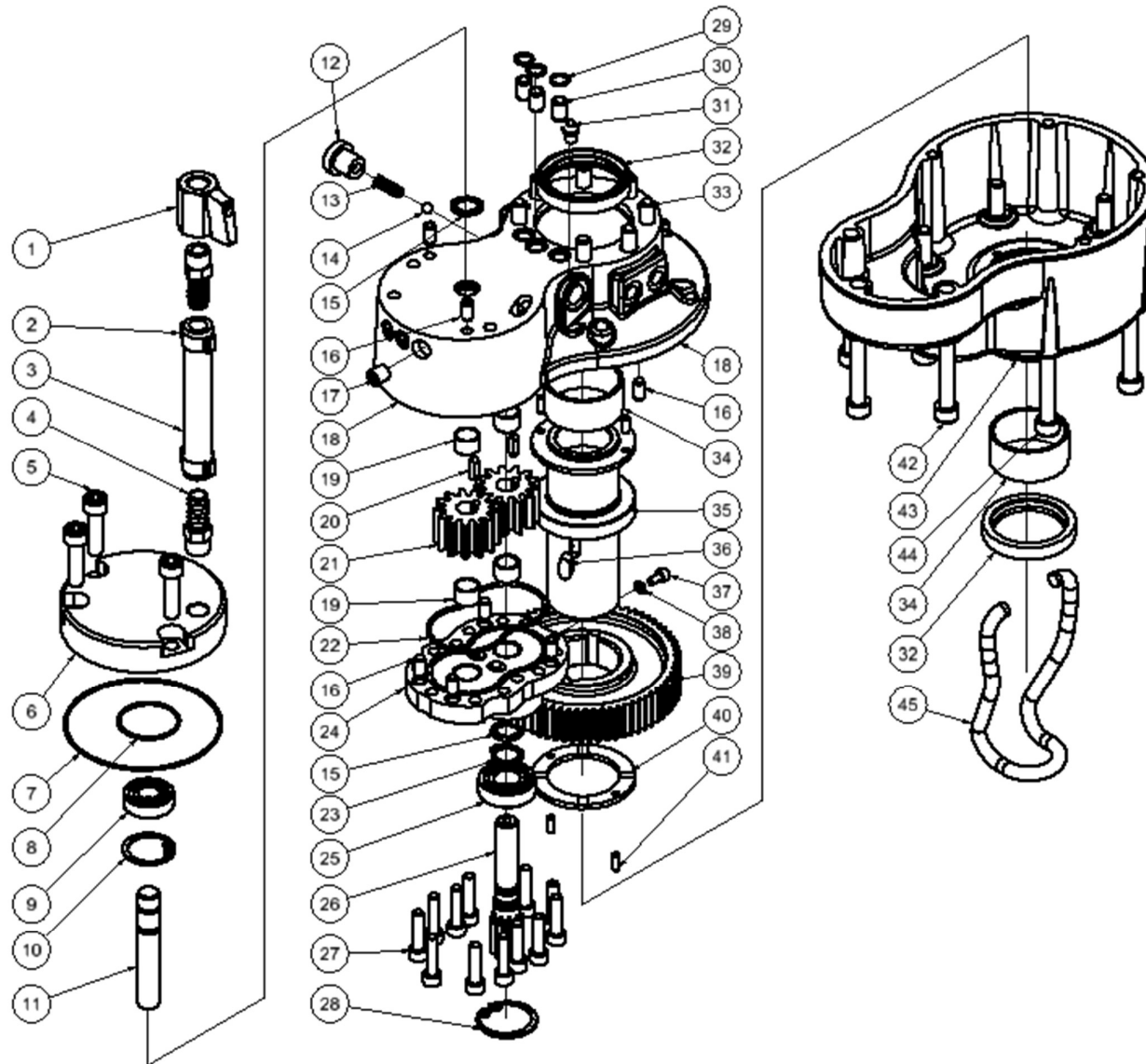
Pos.	Part No.	Description	Pcs.
1	8211270	Trigger lever	1
2	8211271	Cross pin	1
3	8711275	Handle (trigger side)	1
4	8211273	Safety trigger	1
5	8611291	Spring	1
6	8612137	Pin $\varnothing 6 \times 27$	1
7	7612139	Split pin $\varnothing 1.6 \times 10$	1
8	7612138	Split pin $\varnothing 2.0 \times 12$	1
9	8612136	Pin $\varnothing 8 \times 27$	1
10	7611277	Screw M6x80 <i>Loctite 243</i>	1
11	7611278	Nut M6	1
12	8211279	Adaptor	1
13	7611280	Joint	2
14	9011662	Chain	1
15	8711245	Top cover w/logo	1
16	7611282	Screw M8x16	4
17	7611283	Screw M10x25 <i>Loctite 243 - 80NM</i>	4
18	8211260	Shaft for handle <i>Loctite 243 - 80NM</i>	2
19	7611284	Roll pin 6x20	1
20	7611285	Grease nipple M6	2
21	8211286	Boom	1
22	8611289	Compression spring	2
23	8213140	Housing	1
24	8711287	Handle	1
-	9011596	Handle complete <i>Incl. all positions except 15, 16 and 17</i>	1

HRD28X parts list Fig. 2



Pos.	Part No.	Description	Pcs.
-	4141358	1/2" tailhose-set 0.3 m	1
-	7401141	Q.R. coupling 1/2" BSP male	1
-	7401142	Q.R. coupling 1/2" BSP female	1
1	8213138	Striking piston	1
2	7511247	O-ring 82x2	1
3	7611244	Screw M10x75 <i>Tighten crosswise 20-40-80 Nm</i>	4
4	8213254	Cylinder	1
5	7621037	Pipe plug 1/8"	6
6	7511231	Seal $\varnothing 28/\varnothing 36 \times 5.7$	1
7	8211257	Supporting washer 28.7x38x2.0	1
8	7611258	Retaining ring	1
9	7511233	Rod wiper	1
10	7611259	Spring ring	1
11	7711091	Diaphragm	1
12	8211216	Accumulator cover	1
13	7511268	Seal ring M5	1
14	8611269	Screw M5 f/accumulator	1
15	8211256	Plug	1
16	7511248	O-ring 20x2	2
17	8213136	Sleeve	1
18	8213134	Pilot Spool Small	1
19	8213133	Spool	1
20	8213135	Pilot Spool Big	1
22	7511246	O-ring 88x2	1
23	8211227	Distance piece	1
24	7521013	Wiper	1
25	7511300	O-ring 17x1.5	1
26	8211226	Seal housing	1
27	7521014	Seal	1
28	8211251	Washer	1
29	7611252	Crinkled spring washer 23.8x17.3x0.3	1
30	9011750	Trigger piston complete	1
31	8611249	Compression spring 1.25x12.5x62.5	1
32	8611255	Screw M8 f/lock nut	1
33	7611253	Ball $\varnothing 5$ mm	1
34	7511254	Seal ring M8	1
35	7521072	Seal ring 1/2"	2
36	7421063	Fitting 1/2"x1/2" BSP <i>Only for tail-hoses with female thread</i>	2
36	7421343	Fitting 1/2"x3/4" JIC <i>Only for tail-hoses with female thread</i>	2
37	8213139	Nozzle	1
38	8213132	Valve housing	1
-	9013208	Seal kit	1

HRD28X parts list
Fig. 3



HRD28X parts list

Fig. 3

Pos.	Part No.	Description	Pcs.
1	7431468	Ball valve	1
2	7631469	Hose clamp 3/8"	2
3	9022074	Hose 3/8"	1
4	7431417	Hose fitting	1
5	7621045	Screw M8x30	3
6	8213528	Cover f/ external air	1
7	7513186	O-ring 85x1,5	1
8	7532725	O-ring 35x1,5	1
9	7613189	Ball Bearing	1
10	7613190	Retaining ring	1
11	8213201	Shaft	1
12	8213171	Pipe plug 1/8"	1
13	8613175	Compression spring HRD	1
14	7613176	Ball ø6 mm	1
15	7532774	Seal	2
16	7631391	Cylinder pin ø6x12	10
17	7621037	Pipe plug 1/8"	3
18	8213251	Nosepart HRD Upper	1
19	7632777	Bearing ø12x10	4
20	7632780	Key	2
21	8232801	Gear HRD	2
22	7532776	O-ring ø62x2	1
23	7632649	Retaining ring A15	1
24	8213168	Cover f/motor rock drill	1
25	7632538	Ball bearing	1
26	8213164	Gear HRD Small	1

Pos.	Part No.	Description	Pcs.
27	7611243	Screw M6x25	13
28	7632995	Retaining ring	1
29	7532540	O-ring 8x1,5	3
30	8213174	Bushing HRD	3
31	7611285	Grease nipple straight	1
32	7513200	Seal ø40/ø52x8	2
33	7611574	Screw M8x60	7
34	7613170	Plain Bearing HRD	2
35	8213163	Bushing HEX 22x108 HRD	1
36	7613172	Key	1
37	7613178	Screw M4x8	1
38	7513177	Seal ring M4	1
39	8213165	Gear HRD Large	1
40	8213169	Thrust Washer	2
41	7613194	Cylinder pin ø4x10	4
42	7613179	Screw M8x45	3
43	8213162	Nosepart HRD Lower	1
44	7611572	Screw M8x80	5
45	8213193	Drill Latch	1
-	9013208	Seal kit	1