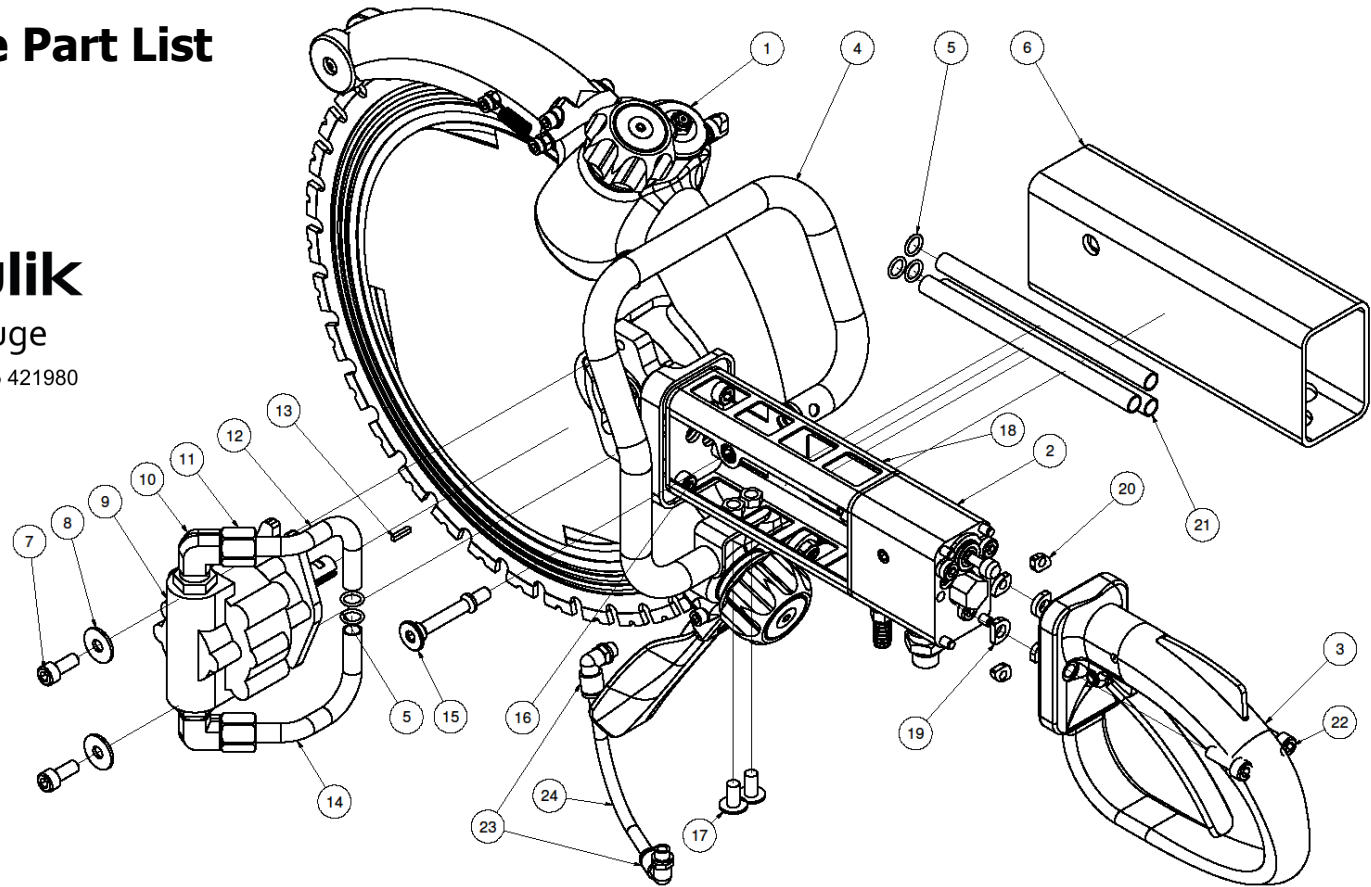


HRS400 Ring Saw Spare Part List

From Serial No. 6391-6538

Fig. 1



Pos.	Part No.	Description	Pcs.
-	4341470	3/8" waterhose-set cmpl. w/ball valve	1
-	4342640	1/2" tailhose-set 2 m <i>Incl. quick-release couplings</i>	1
-	7401141	Q.R. coupling 1/2" BSP male	1
-	7401142	Q.R. coupling 1/2" BSP female	1
1	-	Ring saw head <i>See fig. 2</i>	
2	-	Valve block complete <i>See fig. 2</i>	
3	9031504	Handle complete <i>See fig. 7</i>	
4	9032583	Front handle complete	1

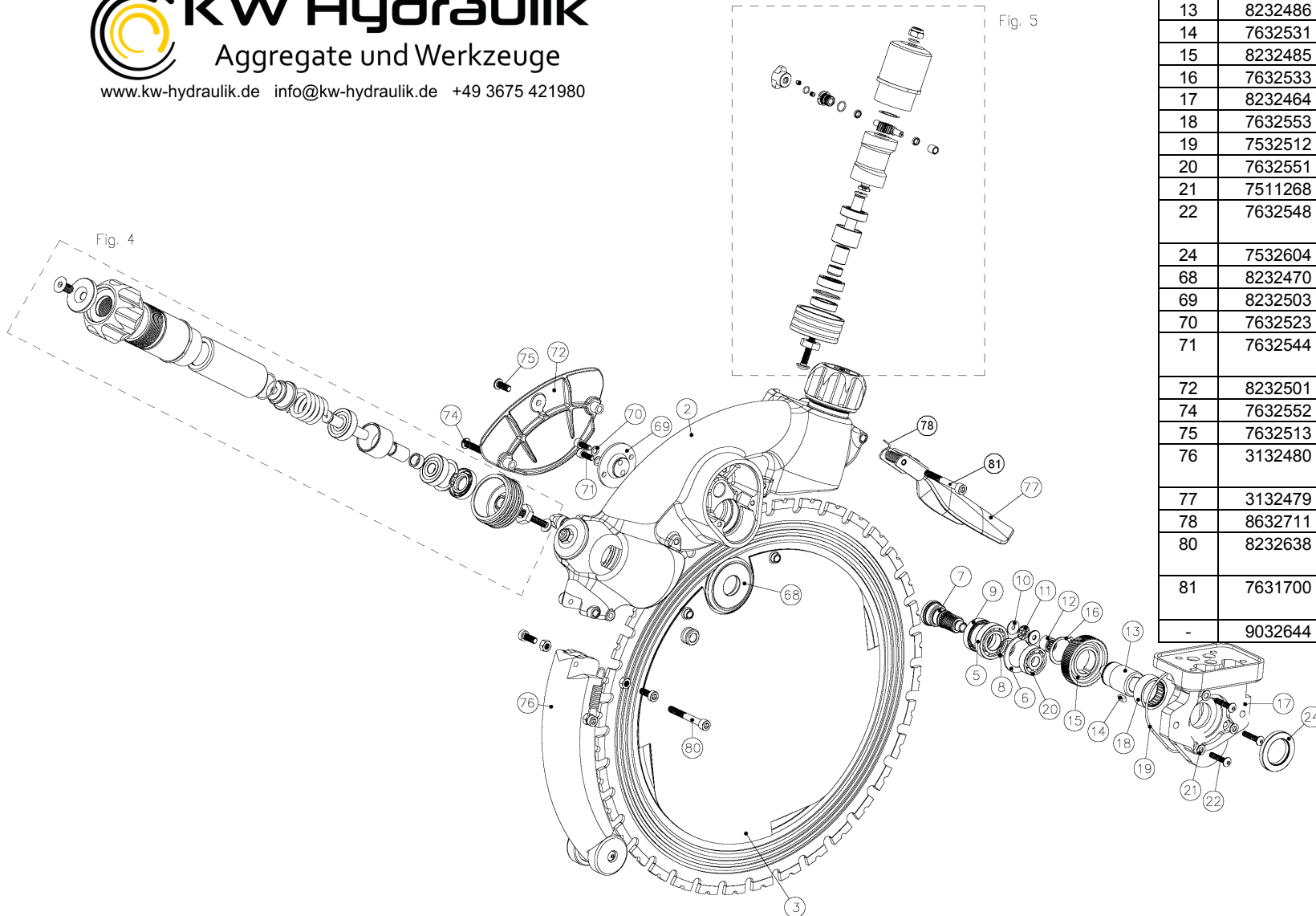
Pos.	Part No.	Description	Pcs.
5	7531493	O-ring 12x2	5
6	8732580	Plastic cover	1
7	7611634	Screw M8x20 <i>Loctite 243</i>	2
8	7621035	Washer M8	2
9	7331454	Hydraulic motor	1
10	7431167	Elbow fitting <i>Incl. in part number 7331454</i>	2
11	7431462	Nut f/elbow fitting	2
12	8232510	Upper angle tube	1
13	7631456	Shaft key	1
14	8232584	Lower angle tube	1

Pos.	Part No.	Description	Pcs.
15	8231481	Bolt f/front handle <i>Loctite 243, 15 Nm</i>	1
16	7631395	Screw M8x14 <i>Loctite 243, 20 Nm</i>	4
17	7611282	Screw M8x16	5
18	8232579	Frame	1
19	8732392	Heat insulation ø8	2
20	8732391	Heat insulation ø6	4
21	8232578	Tube	3
22	7631496	Screw M8x25 <i>Loctite 243, 15 Nm</i>	2
23	7432606	Angle fitting 1 1/8"	2
24	8232607	Water hose	1

HRS400 Ring Saw Spare Part List

From Serial No. 6391-6538

Fig. 2

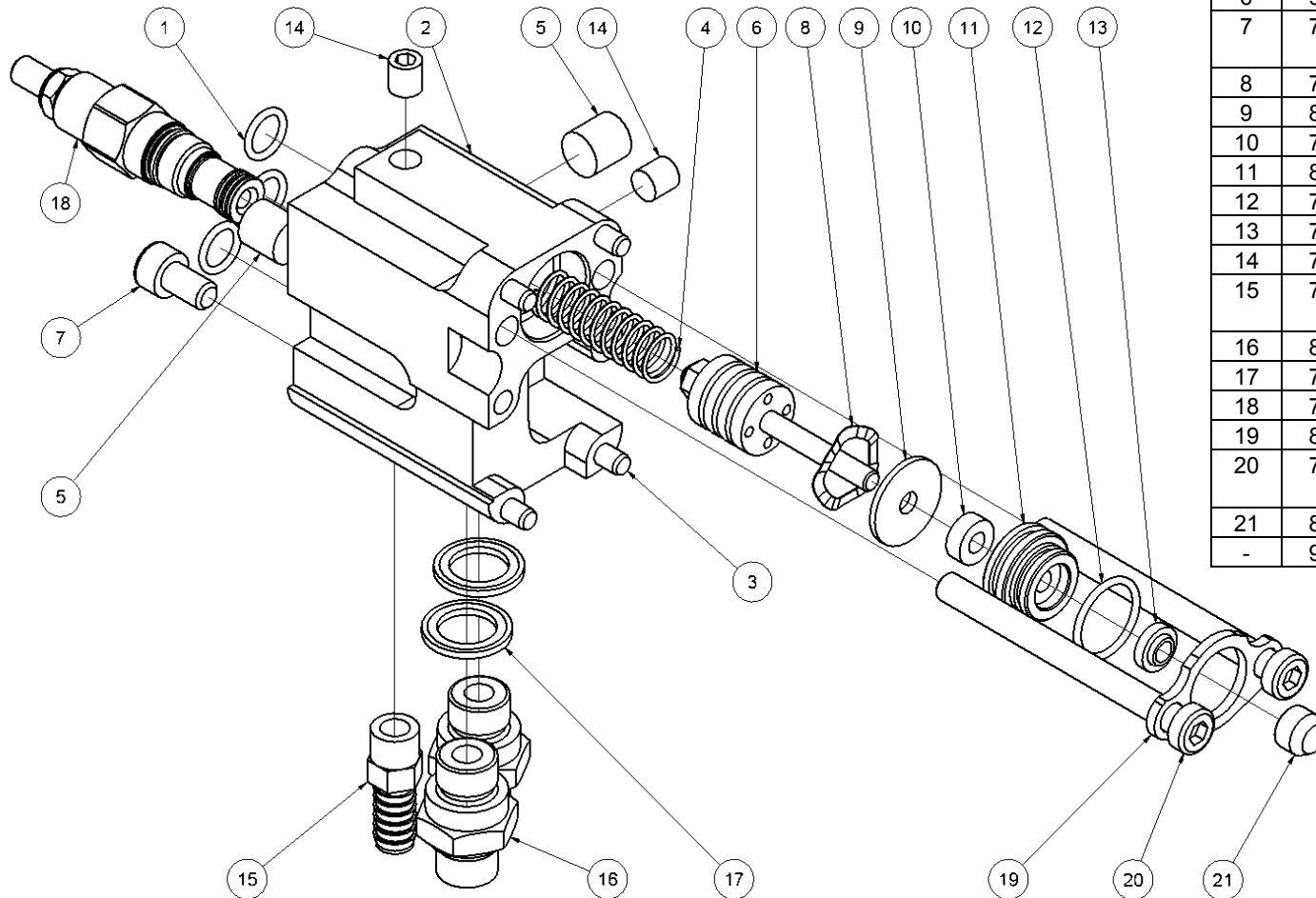


Pos.	Part No.	Description	Pcs.
2	8232462	Housing	1
3	8232481	Water blade	1
5	7632545	Ball bearing 17x35x8	1
6	7632534	Retaining ring J35	1
7	8232484	Drive shaft	1
8	7632603	Retainingring A17	1
9	7532520	Shaft seal	1
10	7632514	Washer	2
11	7632541	Axial needle bearing	1
12	7632529	Needle bearing	1
13	8232486	Drive shaft	1
14	7632531	Shaft key	1
15	8232485	Gear	1
16	7632533	Retaining ring A24	1
17	8232464	Flange f/motor	1
18	7632553	Needle bearing	1
19	7532512	O-ring 76x2	1
20	7632551	Ball bearing 10x28x8	1
21	7511268	Seal ring M5	3
22	7632548	Screw M5x25 6 Nm	3
24	7532604	Shaft seal	1
68	8232470	Drive wheel	1
69	8232503	Clamping flange f/drive wheel	1
70	7632523	Spring washer	2
71	7632544	Screw M5x14 6 Nm	2
72	8232501	Front cover	1
74	7632552	Screw M6x35	2
75	7632513	Screw M6x16	1
76	3132480	Guard complete See fig. 6	1
77	3132479	Splash guard	1
78	8632711	Spring f/splash guard	1
80	8232638	Bolt f/guard Loctite 243	1
81	7631700	Bolt M6x50 Loctite 243	1
-	9032644	Seal kit, ring saw head	1

HRS400 Ring Saw Spare Part List

From Serial No. 6391-6538

Fig. 3



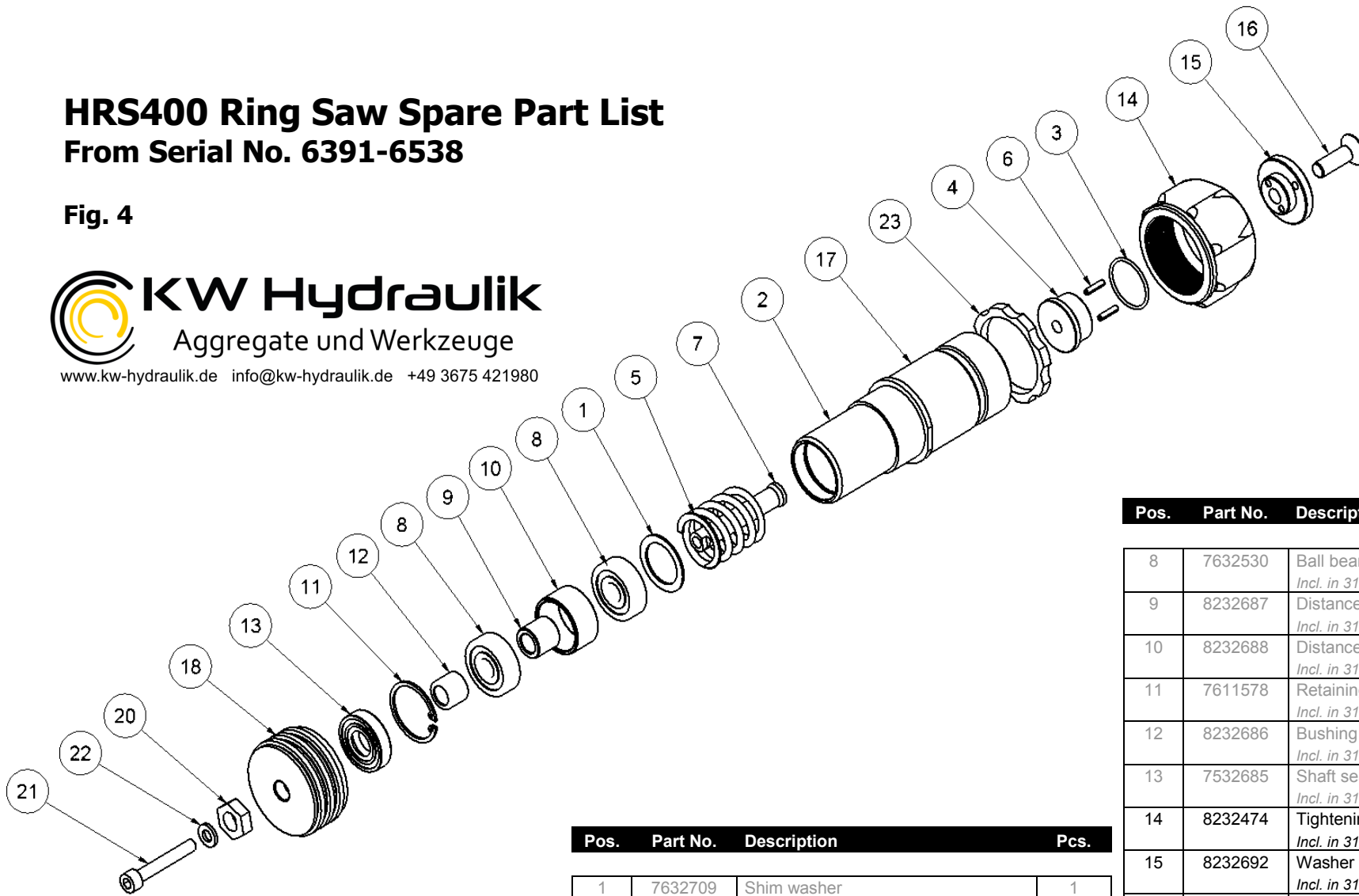
Pos.	Part No.	Description	Pcs.
1	7531493	O-ring 12x2	3
2	8231429	Valve block	1
3	7632395	Cylinder pin $\varnothing 6 \times 16$	4
4	8611249	Compression spring 1.25x12.5x62.5	1
5	7621036	Pipe plug 1/4"	2
6	9032413	Trigger piston complete	1
7	7631395	Screw M8x14 <i>Loctite 243, 20 Nm</i>	1
8	7611252	Crinkled spring washer 23.8x17.3x0.3	1
9	8211251	Washer	1
10	7521014	Seal	1
11	8211226	Seal housing	1
12	7511248	O-ring 20x2	1
13	7521013	Seal	1
14	7621037	Pipe plug 1/8"	2
15	7431417	Fitting <i>Loctite 542</i>	1
16	8231394	Fitting 3/8"x3/8"	2
17	7521017	Seal ring 3/8"	2
18	7432609	Pressure relief valve	1
19	8231451	Bracket f/trigger piston	1
20	7631453	Bolt M8x90 <i>Loctite 243, 20 Nm</i>	2
21	8211227	Distance piece	1
-	9032645	Seal kit, valve block	1

HRS400 Ring Saw Spare Part List

From Serial No. 6391-6538

Fig. 4

KW Hydraulik
 Aggregate und Werkzeuge
 www.kw-hydraulik.de info@kw-hydraulik.de +49 3675 421980



Please note:
 The quantities apply to one guide roller. There are two complete guide rollers in the ring saw.

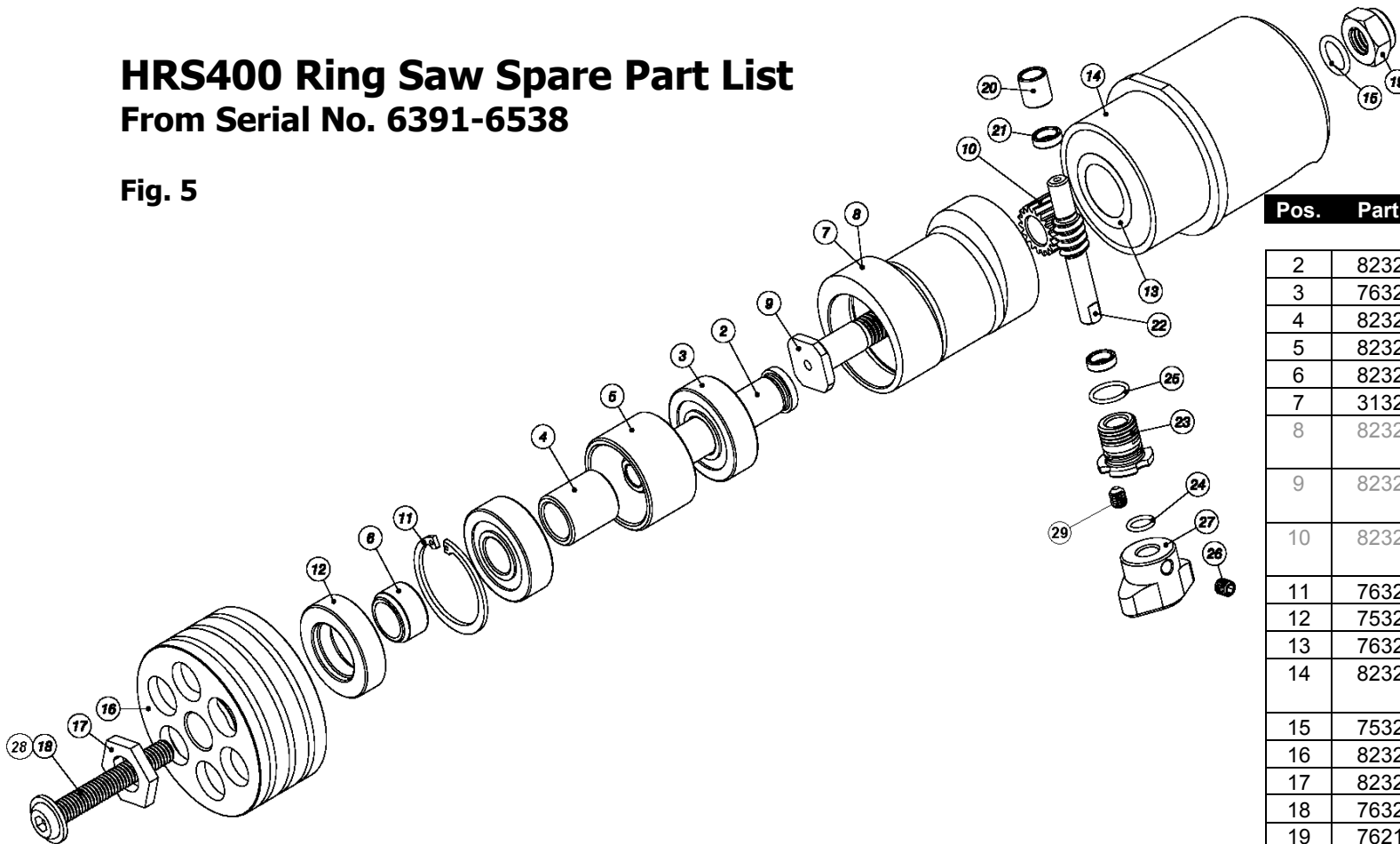
Pos.	Part No.	Description	Pcs.
1	7632709	Shim washer <i>Incl. in 3132471. Not sold separately.</i>	1
2	8232690	Pipe <i>Incl. in 3132471. Not sold separately.</i>	1
3	7532521	O-ring 24x1.5 <i>Incl. in 3132471. Not sold separately.</i>	1
4	8232691	Washer f/spring <i>Incl. in 3132471. Not sold separately.</i>	1
5	8632689	Spring <i>Incl. in 3132471. Not sold separately.</i>	1
6	7632708	Roll pin ø3x12 <i>Incl. in 3132471. Not sold separately.</i>	2
7	8232493	Shaft <i>Incl. in 3132471. Not sold separately.</i>	1

Pos.	Part No.	Description	Pcs.
8	7632530	Ball bearing 10x30x9 <i>Incl. in 3132471. Not sold separately.</i>	2
9	8232687	Distance bushing, small <i>Incl. in 3132471. Not sold separately.</i>	1
10	8232688	Distance bushing, large <i>Incl. in 3132471. Not sold separately.</i>	1
11	7611578	Retaining ring 30x1.2 <i>Incl. in 3132471. Not sold separately.</i>	1
12	8232686	Bushing <i>Incl. in 3132471. Not sold separately.</i>	1
13	7532685	Shaft seal 15x30x7 <i>Incl. in 3132471. Not sold separately.</i>	1
14	8232474	Tightening knob <i>Incl. in 3132471</i>	1
15	8232692	Washer f/tightening knob <i>Incl. in 3132471</i>	1
16	7631459	Screw M8x25 <i>Incl. in 3132471</i> <i>Loctite 243, 15 Nm</i>	1
17	8232475	Bushing <i>Loctite 638</i>	1
18	8232465	Guide roller	1
20	8232492	Hexagon nut	1
21	7632528	Bolt M6x40 <i>Loctite 243, 15 Nm</i>	1
22	7621136	Washer M6	1
23	8232710	Spacer ring	1
-	3132471	Guide roller assy <i>Pos. 1-16, Use grease</i>	1

HRS400 Ring Saw Spare Part List

From Serial No. 6391-6538

Fig. 5



Pos.	Part No.	Description	Pcs.
2	8232482	Shaft f/support roller	1
3	7632543	Ball bearing 10x26x8	2
4	8232499	Bushing small	1
5	8232500	Bushing large	1
6	8232491	Bushing	1
7	3132490	Eccentric roll complete	1
8	8232477	Eccentric roll <i>Incl. in 3132490. Not sold separately.</i>	1
9	8232487	Bolt <i>Incl. in 3132490. Not sold separately.</i>	1
10	8232489	Drive <i>Incl. in 3132490. Not sold separately.</i>	1
11	7632542	Retaining ring	1
12	7532549	Shaft seal 14x26x7	1
13	7632532	Washer 15x21x0.1	1
14	8232478	Bushing <i>Loctite 638</i>	1
15	7532540	O-ring 8x1.5	1
16	8232466	Support roller	1
17	8232492	Hexagon nut	1
18	7632528	Bolt M6x40	1
19	7621010	Lock nut M8	1
20	8232507	Bushing	1
21	8232509	Ring	2
22	8232488	Shaft	1
23	8232504	Brass bearing	1
24	7532519	O-ring 5.5x1	1
25	7532526	O-ring 8.5x1	1
26	7632547	Set screw M4x5 <i>Loctite 243</i>	1
27	8232505	Adjustment screw	1
28	7621136	Washer M6	1
29	7632642	Set screw M4x6 <i>Loctite 243</i>	1
-	3132476	Support roller assy <i>Pos. 2-12 and 16, 17, 18, 28</i> <i>Use grease</i>	1

KW Hydraulik
Aggregate und Werkzeuge

www.kw-hydraulik.de info@kw-hydraulik.de +49 3675 421980

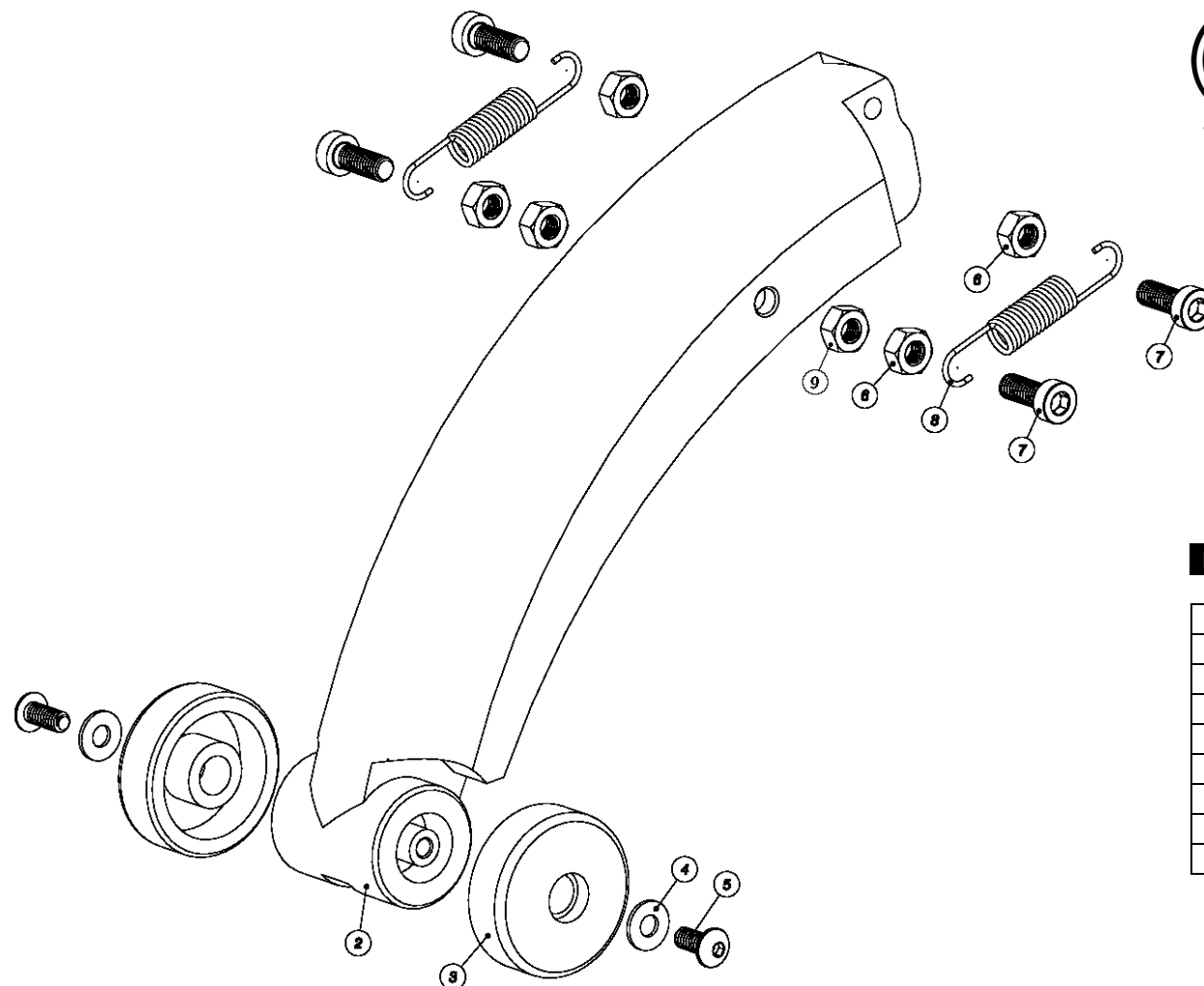
Please note:

The quantities apply to one support roller.
There are two complete support rollers in the ring saw.

HRS400 Ring Saw Spare Part List

From Serial No. 6391-6538

Fig. 6



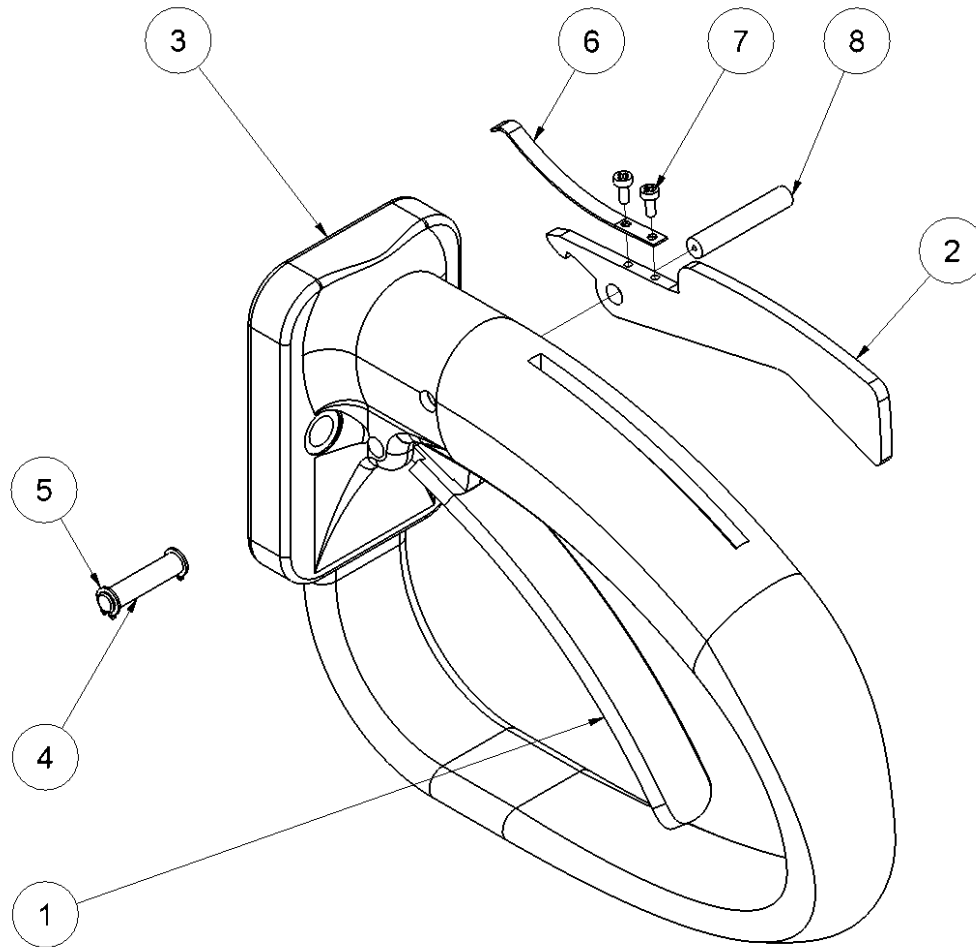

KW Hydraulik
 Aggregate und Werkzeuge
www.kw-hydraulik.de info@kw-hydraulik.de +49 3675 421980

Pos.	Part No.	Description	Pcs.
2	8732463	Guard	1
3	8232494	Nylon roller	2
4	7632511	Washer 5.3x12x1	2
5	7632515	Bolt M5x12	2
6	7621028	Nut M6	4
7	7632537	Bolt M6x16	4
8	8632516	Tension spring	2
9	7621029	Lock nut M6	2
-	3132480	Guard complete	1

HRS400 Ring Saw Spare Part List

From Serial No. 6391-6538

Fig. 7




KW Hydraulik
 Aggregate und Werkzeuge
 www.kw-hydraulik.de info@kw-hydraulik.de +49 3675 421980

Pos.	Part No.	Description	Pcs.
1	8231471	Trigger lever	1
2	8231472	Safety trigger	1
3	8231485	Handle	1
4	8231396	Pin $\varnothing 6$	1
5	7611306	Retaining ring A6	2
6	8631506	Leaf spring f/safety trigger	1
7	7631589	Screw M2.5x6	2
8	8231507	Pin f/safety trigger	1
-	9031504	Handle complete <i>Pos. 1-8</i>	1

HRS400 Ring Saw Service Set



Pos.	Part No.	Description	Pcs.
1	9992660	WD40 spray can	1
2	9992643	Two pin wrench	1
3	9992658	Open spanner 13 mm	1
4	9992659	Hex key 4 mm	1
5	9992661	Feeler gauge	1
6	9992662	Instructions, laminated	1
-	3132663	Service set <i>Pos. 2-6</i>	1
-	7902647	HYCON HRS Grease <i>We recommend Q8 ROSSINI EP2 or equivalent grease</i>	1