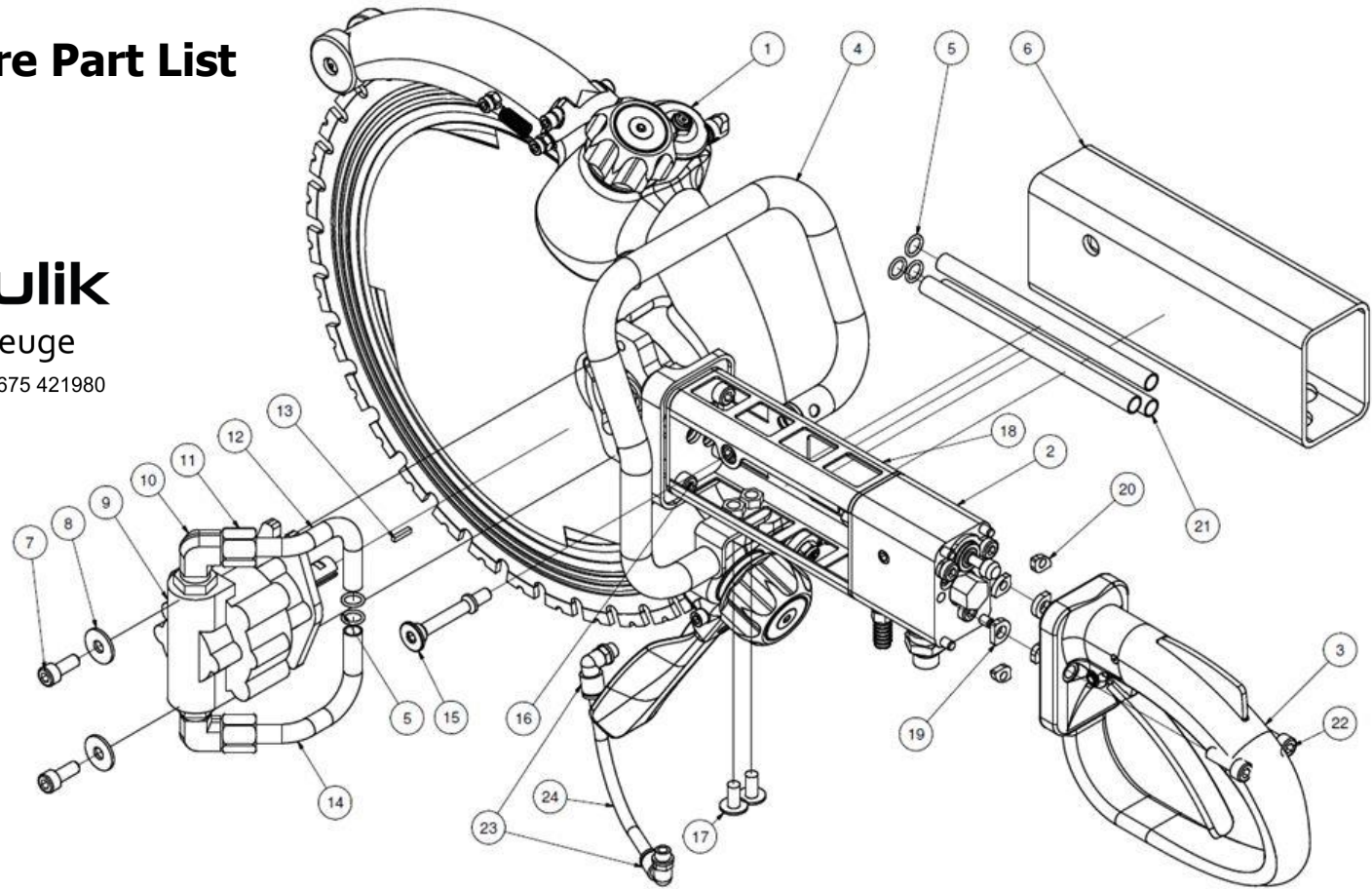


HRS400 Ring Saw Spare Part List

Serial No. 6539-9567

Fig. 1



| Pos. | Part No. | Description | Pcs. |
|------|----------|---|------|
| - | 4341470 | 3/8" waterhose-set cmpl. w/ball valve | 1 |
| - | 4342640 | 1/2" tailhose-set 2 m <i>Incl. quick-release couplings</i> | 1 |
| - | 7401141 | Q.R. coupling 1/2" BSP male | 1 |
| - | 7401142 | Q.R. coupling 1/2" BSP female | 1 |
| 1 | - | Ring saw head <i>See fig. 2</i> | |
| 2 | - | Valve block complete <i>See fig. 2</i> | |
| 3 | 9031504 | Handle complete <i>See fig. 7</i> | |
| 4 | 9032583 | Front handle complete | 1 |

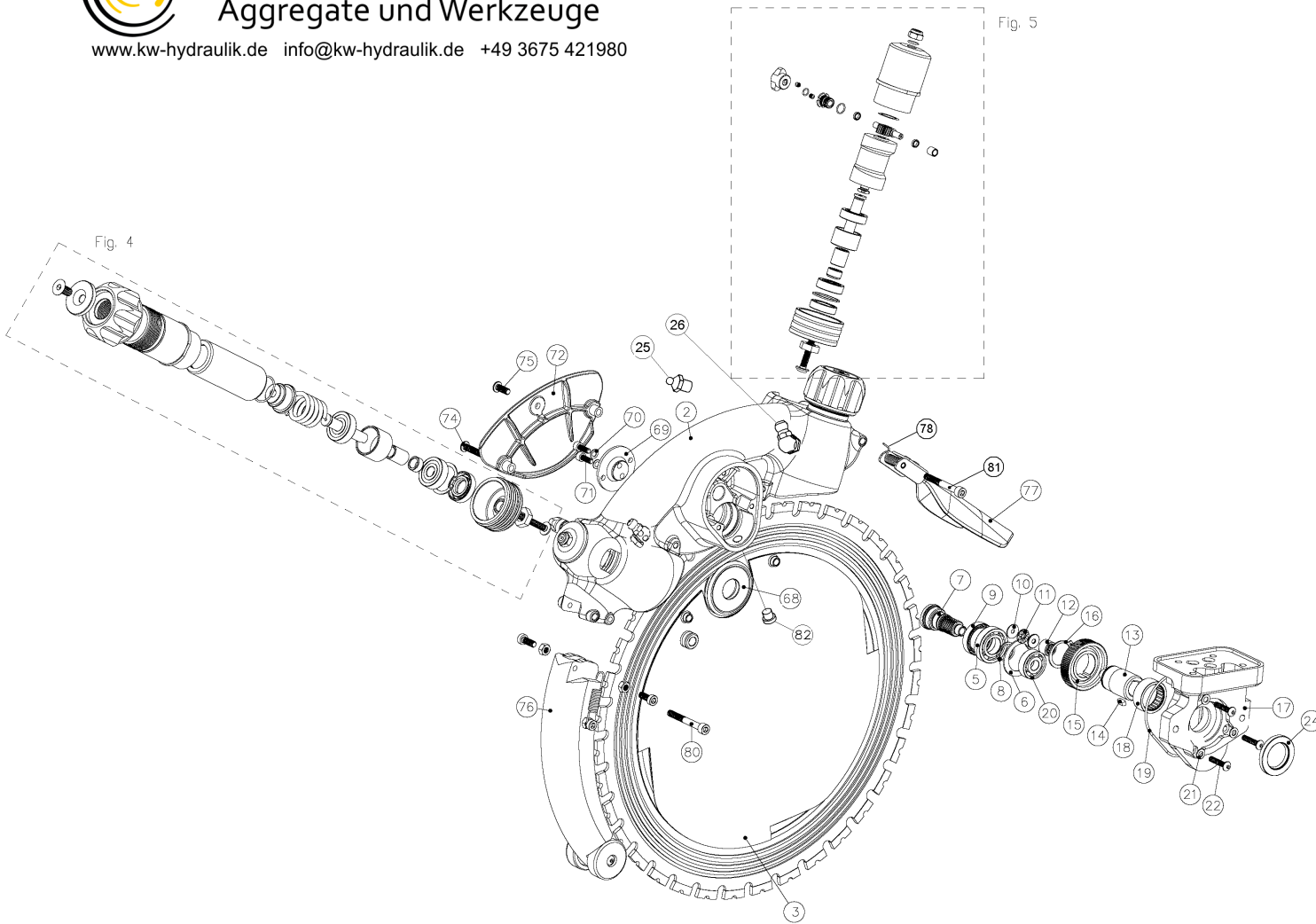
| Pos. | Part No. | Description | Pcs. |
|------|----------|--|------|
| 5 | 7531493 | O-ring 12x2 | 5 |
| 6 | 8732580 | Plastic cover | 1 |
| 7 | 7611634 | Screw M8x20 <i>Loctite 243</i> | 2 |
| 8 | 7621035 | Washer M8 | 2 |
| 9 | 7331454 | Hydraulic motor | 1 |
| 10 | 7431167 | Elbow fitting <i>Incl. in part number 7331454</i> | 2 |
| 11 | 7431462 | Nut f/elbow fitting | 2 |
| 12 | 8232510 | Upper angle tube | 1 |
| 13 | 7631456 | Shaft key | 1 |
| 14 | 8232584 | Lower angle tube | 1 |
| 15 | 8231481 | Bolt f/front handle <i>Loctite 243, 15 Nm</i> | 1 |

| Pos. | Part No. | Description | Pcs. |
|------|----------|--|------|
| 16 | 7631395 | Screw M8x14 <i>Loctite 243, 20 Nm</i> | 4 |
| 17 | 7611282 | Screw M8x16 | 5 |
| 18 | 8232579 | Frame | 1 |
| 19 | 8732392 | Heat insulation ø8 | 2 |
| 20 | 8732391 | Heat insulation ø6 | 4 |
| 21 | 8232578 | Tube | 3 |
| 22 | 7631496 | Screw M8x25 <i>Loctite 243, 15 Nm</i> | 2 |
| 23 | 7432606 | Angle fitting 1 1/8" | 2 |
| 24 | 8232607 | Water hose | 1 |
| - | 9032644 | Seal kit, ring saw | 1 |

HRS400 Ring Saw Spare Part List

Serial No. 6539-9567

Fig. 2

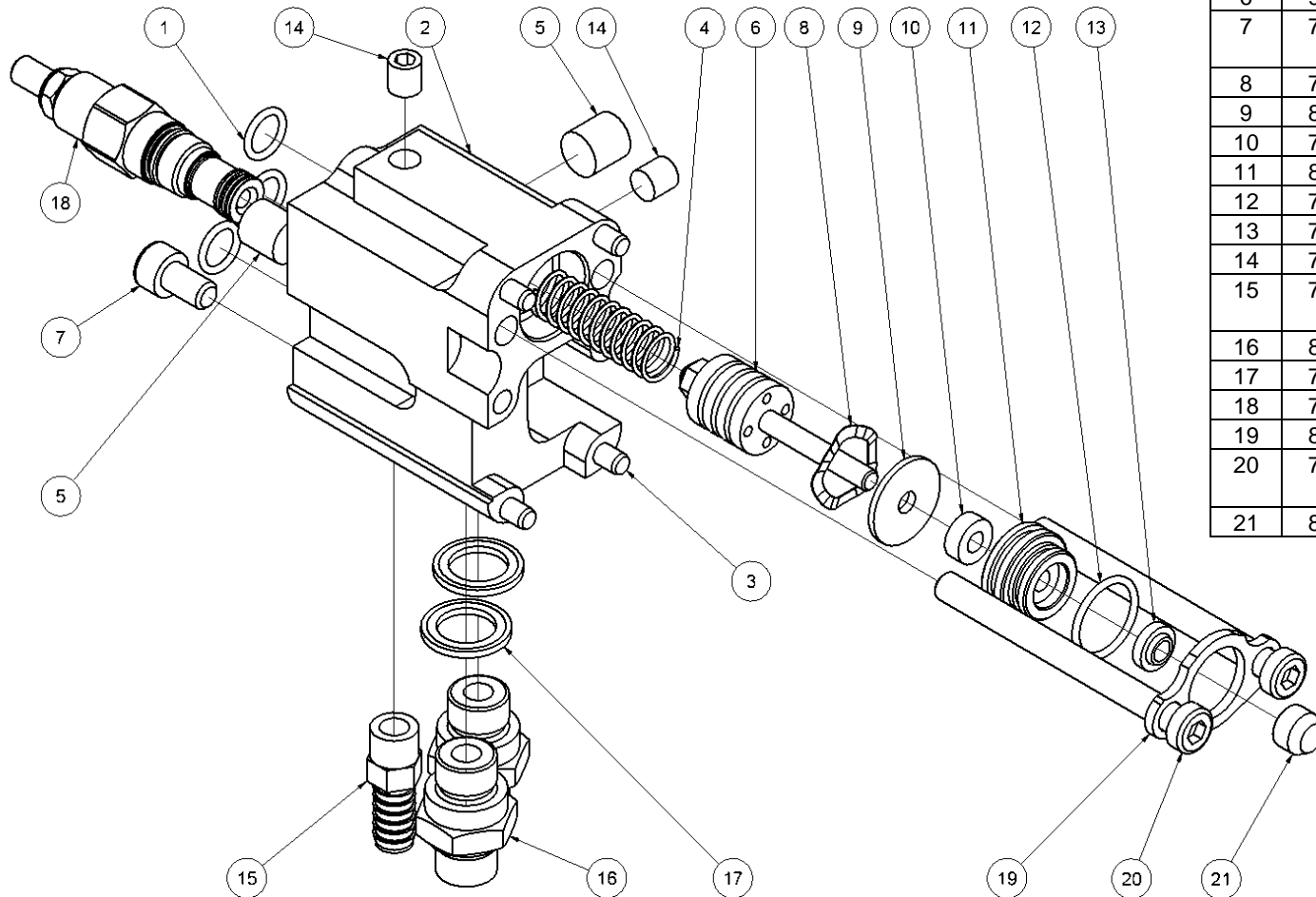


| Pos. | Part No. | Description | Pcs. |
|------|----------|---|------|
| 2 | 8232462 | Housing | 1 |
| 3 | 8232481 | Water blade | 1 |
| 5 | 7632545 | Ball bearing 17x35x8 | 1 |
| 6 | 7632534 | Retaining ring J35 | 1 |
| 7 | - | Drive shaft Not sold separately. <i>Incl. in 9032955.</i> | 1 |
| 8 | 7632603 | Retainingring A17 | 1 |
| 9 | 7532520 | Shaft seal | 1 |
| 10 | 7632514 | Washer | 2 |
| 11 | 7632541 | Axial needle bearing | 1 |
| 12 | 7632529 | Needle bearing | 1 |
| 13 | 8232486 | Drive shaft | 1 |
| 14 | 7632531 | Shaft key | 1 |
| 15 | - | Gear Not sold separately. <i>Incl. in 9032955.</i> | 1 |
| 16 | 7632533 | Retaining ring A24 | 1 |
| 17 | 8232464 | Flange f/motor | 1 |
| 18 | 7632553 | Needle bearing | 1 |
| 19 | 7532512 | O-ring 76x2 | 1 |
| 20 | 7632551 | Ball bearing 10x28x8 | 1 |
| 21 | 7511268 | Seal ring M5 | 3 |
| 22 | 7632548 | Screw M5x25 6 Nm | 3 |
| 24 | 7532604 | Shaft seal | 1 |
| 25 | 7611285 | Grease nipple straight | 2 |
| 26 | 7632726 | Grease nipple 90° | 2 |
| 68 | 8232470 | Drive wheel | 1 |
| 69 | 8232503 | Clamping flange f/drive wheel | 1 |
| 70 | 7632523 | Spring washer | 2 |
| 71 | 7632544 | Screw M5x14 6 Nm | 2 |
| 72 | 8232501 | Front cover | 1 |
| 74 | 7632552 | Screw M6x35 | 2 |
| 75 | 7632513 | Screw M6x16 | 1 |
| 76 | 3132480 | Guard complete <i>See fig. 6</i> | 1 |
| 77 | 3132479 | Splash guard | 1 |
| 78 | 8632711 | Spring f/splash guard | 1 |
| 80 | 8232638 | Bolt f/guard <i>Loctite 243</i> | 1 |
| 81 | 7631700 | Bolt M6x50 <i>Loctite 243</i> | 1 |
| 82 | 7621323 | Threaded plug 1/8" w/seal <i>Mounted on saws from S/N 7680</i> | 1 |
| - | 9032955 | Gear Set Ringsaw <i>Pos 7 & 15</i> | - |

HRS400 Ring Saw Spare Part List

Serial No. 6539-9567

Fig. 3



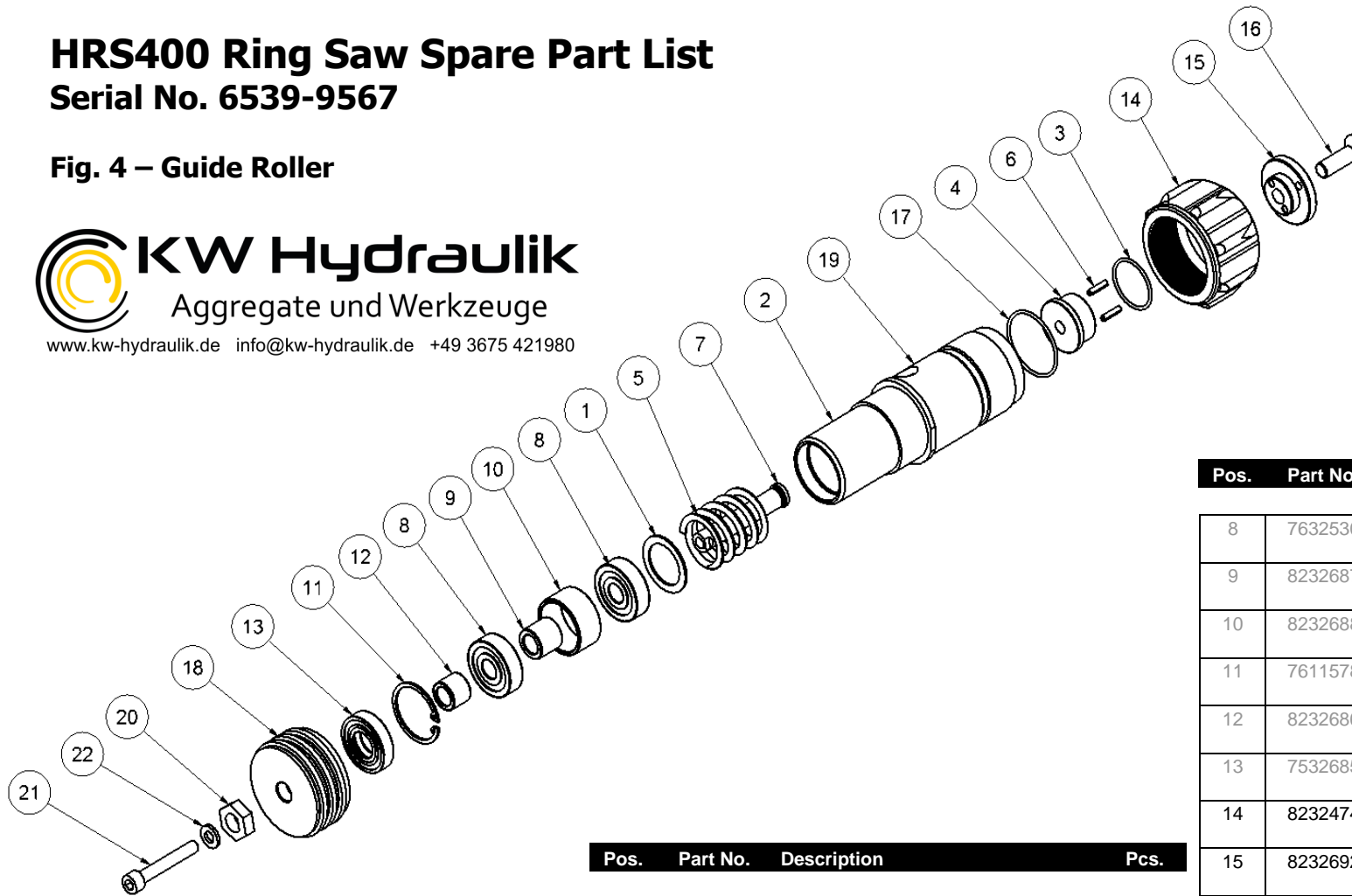
| Pos. | Part No. | Description | Pcs. |
|------|----------|--|------|
| 1 | 7531493 | O-ring 12x2 | 3 |
| 2 | 8232610 | Valve block | 1 |
| 3 | 7632395 | Cylinder pin $\varnothing 6 \times 16$ | 4 |
| 4 | 8611249 | Compression spring 1.25x12.5x62.5 | 1 |
| 5 | 7621036 | Pipe plug 1/4" | 2 |
| 6 | 9032413 | Trigger piston complete | 1 |
| 7 | 7631395 | Screw M8x14 <i>Loctite 243, 20 Nm</i> | 1 |
| 8 | 7611252 | Crinkled spring washer 23.8x17.3x0.3 | 1 |
| 9 | 8211251 | Washer | 1 |
| 10 | 7521014 | Seal | 1 |
| 11 | 8211226 | Seal housing | 1 |
| 12 | 7511248 | O-ring 20x2 | 1 |
| 13 | 7521013 | Seal | 1 |
| 14 | 7621037 | Pipe plug 1/8" | 2 |
| 15 | 7431417 | Fitting <i>Loctite 542</i> | 1 |
| 16 | 8231394 | Fitting 3/8"x3/8" | 2 |
| 17 | 7521017 | Seal ring 3/8" | 2 |
| 18 | 7432609 | Pressure relief valve | 1 |
| 19 | 8231451 | Bracket f/trigger piston | 1 |
| 20 | 7631453 | Bolt M8x90 <i>Loctite 243, 20 Nm</i> | 2 |
| 21 | 8211227 | Distance piece | 1 |

HRS400 Ring Saw Spare Part List

Serial No. 6539-9567

Fig. 4 – Guide Roller

KW Hydraulik
 Aggregate und Werkzeuge
 www.kw-hydraulik.de info@kw-hydraulik.de +49 3675 421980



Please note:
 The quantities apply to one guide roller. There are two complete guide rollers in the ring saw.

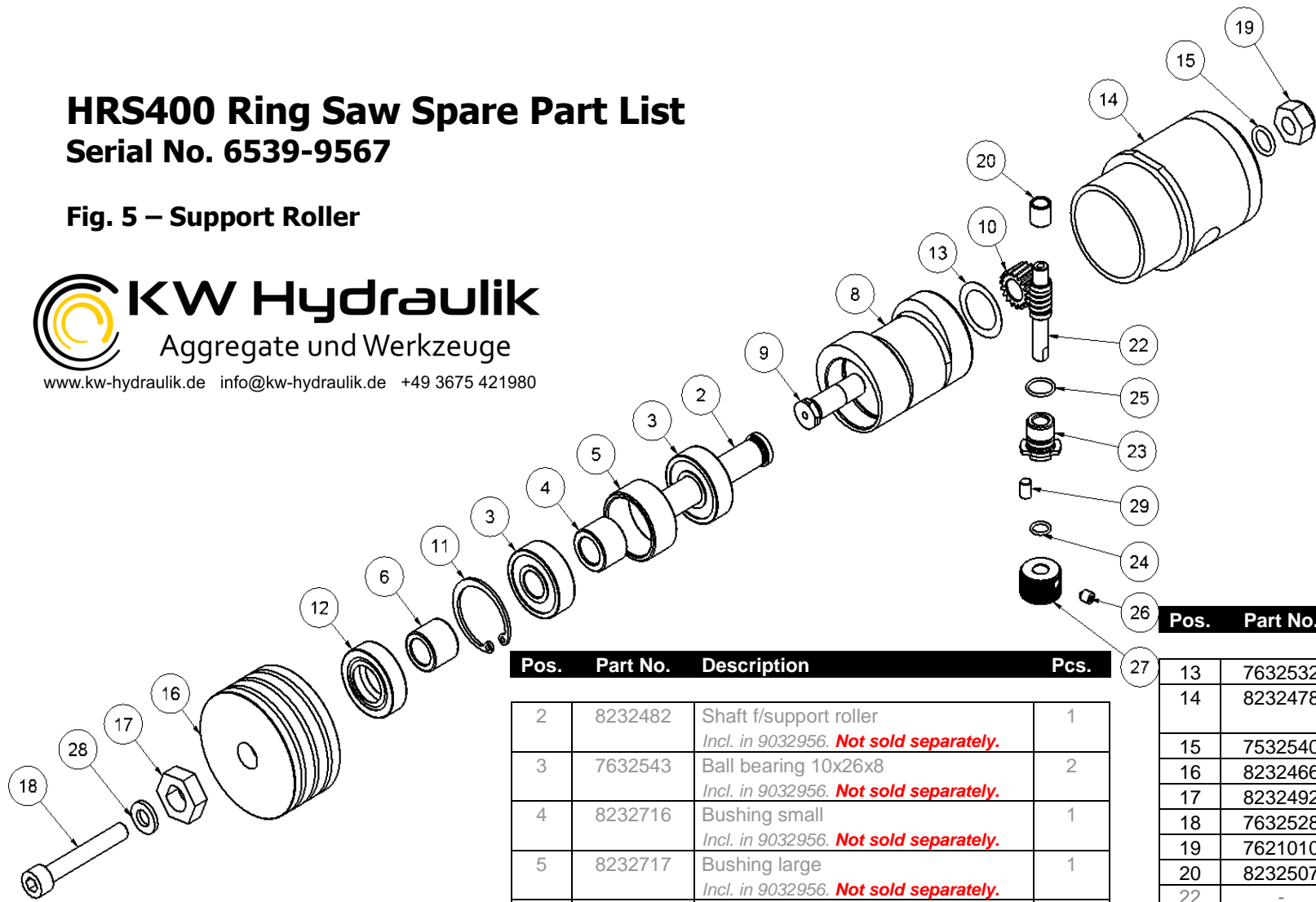
| Pos. | Part No. | Description | Pcs. |
|------|----------|--|------|
| 1 | 7632709 | Shim washer <i>Incl. in 3132471. Not sold separately.</i> | 1 |
| 2 | 8232690 | Pipe <i>Incl. in 3132471. Not sold separately.</i> | 1 |
| 3 | 7532521 | O-ring 24x1.5 <i>Incl. in 3132471. Not sold separately.</i> | 1 |
| 4 | 8232691 | Washer f/spring <i>Incl. in 3132471. Not sold separately.</i> | 1 |
| 5 | 8632689 | Spring <i>Incl. in 3132471. Not sold separately.</i> | 1 |
| 6 | 7632708 | Roll pin ø3x12 <i>Incl. in 3132471. Not sold separately.</i> | 2 |
| 7 | 8232493 | Shaft <i>Incl. in 3132471. Not sold separately.</i> | 1 |

| Pos. | Part No. | Description | Pcs. |
|------|----------|--|------|
| 8 | 7632530 | Ball bearing 10x30x9 <i>Incl. in 3132471. Not sold separately.</i> | 2 |
| 9 | 8232687 | Distance bushing, small <i>Incl. in 3132471. Not sold separately.</i> | 1 |
| 10 | 8232688 | Distance bushing, large <i>Incl. in 3132471. Not sold separately.</i> | 1 |
| 11 | 7611578 | Retaining ring 30x1.2 <i>Incl. in 3132471. Not sold separately.</i> | 1 |
| 12 | 8232686 | Bushing <i>Incl. in 3132471. Not sold separately.</i> | 1 |
| 13 | 7532685 | Shaft seal 15x30x7 <i>Incl. in 3132471. Not sold separately.</i> | 1 |
| 14 | 8232474 | Tightening knob <i>Incl. in 3132471</i> | 1 |
| 15 | 8232692 | Washer f/tightening knob <i>Incl. in 3132471</i> | 1 |
| 16 | 7631459 | Screw M8x25 <i>Incl. in 3132471</i> <i>Loctite 243, 15 Nm</i> | 1 |
| 17 | 7532725 | O-ring 35x1.5 <i>Incl. in 3132471</i> | 1 |
| 18 | 8232465 | Guide roller | 1 |
| 19 | 8232475 | Bushing <i>Loctite 638</i> | 1 |
| 20 | 8232492 | Hexagon nut | 1 |
| 21 | 7632528 | Bolt M6x40 <i>Loctite 243, 15 Nm</i> | 1 |
| 22 | 7621136 | Washer M6 | 1 |
| - | 3132471 | Guide roller assy <i>Pos. 1-17, Use grease</i> | 1 |

HRS400 Ring Saw Spare Part List

Serial No. 6539-9567

Fig. 5 – Support Roller



| Pos. | Part No. | Description | Pcs. |
|------|----------|---|------|
| 2 | 8232482 | Shaft f/support roller <i>Incl. in 9032956. Not sold separately.</i> | 1 |
| 3 | 7632543 | Ball bearing 10x26x8 <i>Incl. in 9032956. Not sold separately.</i> | 2 |
| 4 | 8232716 | Bushing small <i>Incl. in 9032956. Not sold separately.</i> | 1 |
| 5 | 8232717 | Bushing large <i>Incl. in 9032956. Not sold separately.</i> | 1 |
| 6 | 8232686 | Bushing <i>Incl. in 9032956. Not sold separately.</i> | 1 |
| 8 | 8232715 | Eccentric roll <i>Incl. in 9032956. Not sold separately.</i> | 1 |
| 9 | 8232487 | Bolt <i>Incl. in 9032956. Not sold separately.</i> | 1 |
| 10 | 8232489 | Drive <i>Incl. in 9032956. Not sold separately.</i> | 1 |
| 11 | 7632542 | Retaining ring <i>Incl. in 9032956. Not sold separately.</i> | 1 |
| 12 | 7532549 | Shaft seal 14x26x7 <i>Incl. in 9032956. Not sold separately.</i> | 1 |

| Pos. | Part No. | Description | Pcs. |
|------|----------|--|------|
| 13 | 7632532 | Washer 15x21x0.1 | 1 |
| 14 | 8232478 | Bushing <i>Loctite 638</i> | 1 |
| 15 | 7532540 | O-ring 8x1.5 | 1 |
| 16 | 8232466 | Support roller | 1 |
| 17 | 8232492 | Hexagon nut | 1 |
| 18 | 7632528 | Bolt M6x40 | 1 |
| 19 | 7621010 | Lock nut M8 | 1 |
| 20 | 8232507 | Bushing | 1 |
| 22 | - | Shaft <i>Incl. in 9032956. Not sold separately.</i> | 1 |
| 23 | 8232504 | Brass bearing | 1 |
| 24 | 7532519 | O-ring 5.5x1 | 1 |
| 25 | 7532526 | O-ring 8.5x1 | 1 |
| 26 | 7632547 | Set screw M4x5 <i>Loctite 243</i> | 1 |
| 27 | 8232505 | Adjustment screw | 1 |
| 28 | 7621136 | Washer M6 | 1 |
| 29 | 7632642 | Set screw M4x6 <i>Loctite 243</i> | 1 |
| - | 9032956 | Support roller assy <i>Pos. 2-12 Use grease</i> | 1 |

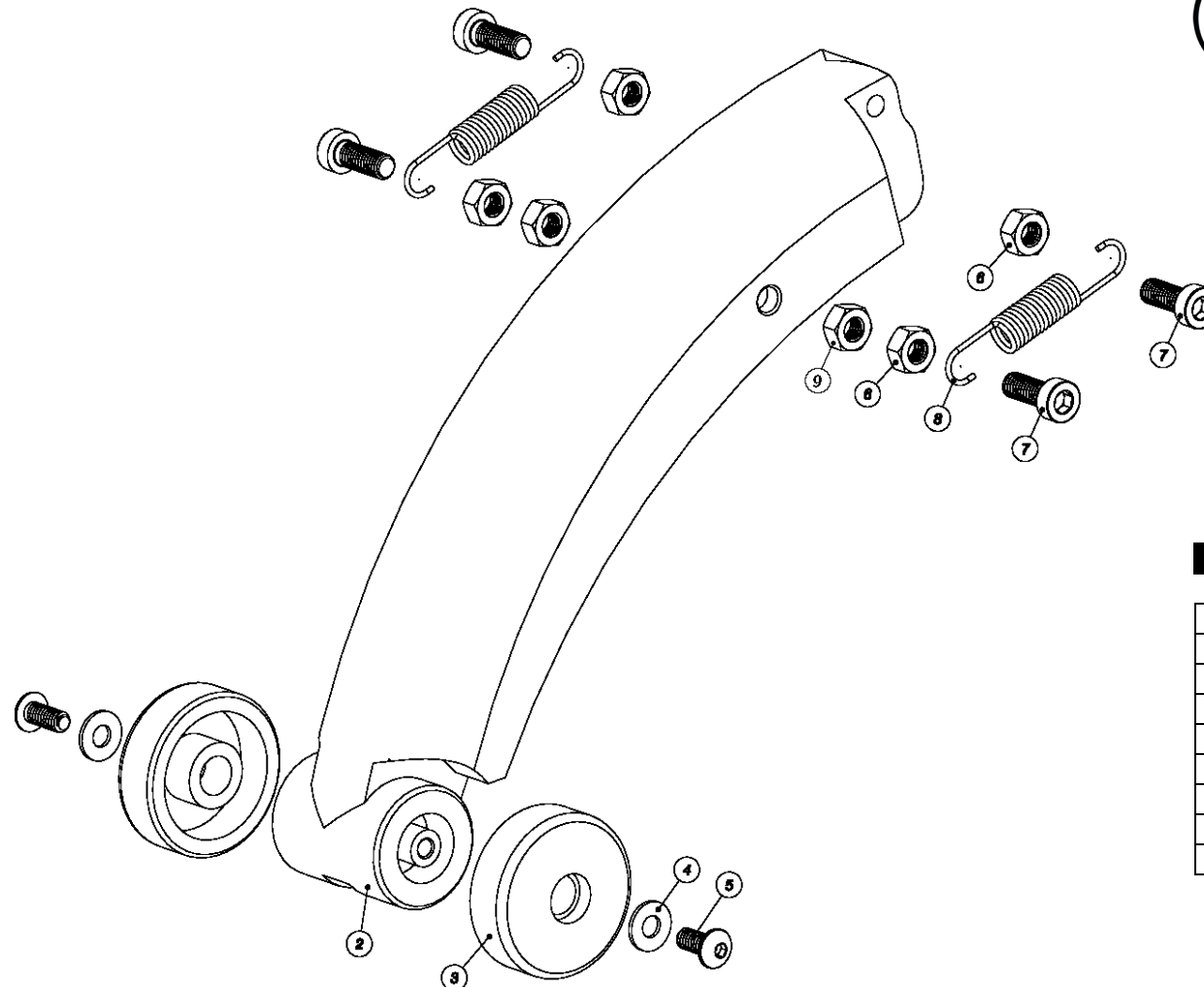
Please note:
 The quantities apply to one support roller.
 There are two complete support rollers in the ring saw.

HRS400 Ring Saw Spare Part List

Serial No. 6539-9567

Fig. 6


KW Hydraulik
 Aggregate und Werkzeuge
www.kw-hydraulik.de info@kw-hydraulik.de +49 3675 421980

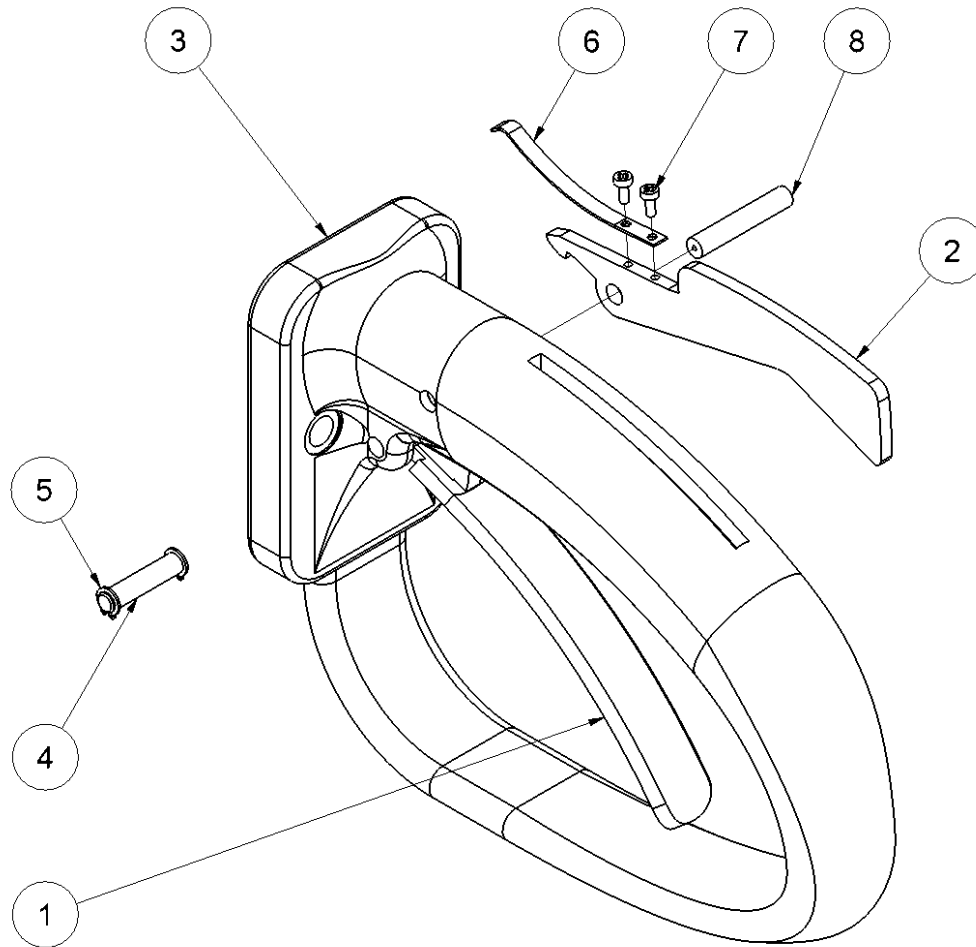


| Pos. | Part No. | Description | Pcs. |
|------|----------|-----------------|------|
| 2 | 8732463 | Guard | 1 |
| 3 | 8232494 | Nylon roller | 2 |
| 4 | 7632511 | Washer 5.3x12x1 | 2 |
| 5 | 7632515 | Bolt M5x12 | 2 |
| 6 | 7621028 | Nut M6 | 4 |
| 7 | 7632537 | Bolt M6x16 | 4 |
| 8 | 8632516 | Tension spring | 2 |
| 9 | 7621029 | Lock nut M6 | 2 |
| - | 3132480 | Guard complete | 1 |

HRS400 Ring Saw Spare Part List

Serial No. 6539-9567

Fig. 7



| Pos. | Part No. | Description | Pcs. |
|------|----------|------------------------------------|------|
| 1 | 8231471 | Trigger lever | 1 |
| 2 | 8231472 | Safety trigger | 1 |
| 3 | 8231485 | Handle | 1 |
| 4 | 8231396 | Pin ø6 | 1 |
| 5 | 7611306 | Retaining ring A6 | 2 |
| 6 | 8631506 | Leaf spring f/safety trigger | 1 |
| 7 | 7631589 | Screw M2.5x6 | 2 |
| 8 | 8231507 | Pin f/safety trigger | 1 |
| - | 9031504 | Handle complete <i>Pos. 1-8</i> | 1 |

HRS400 Ring Saw Service Set



| Pos. | Part No. | Description | Pcs. |
|------|----------|---|------|
| 1 | 9992660 | WD40 spray can | 1 |
| 2 | 9992643 | Two pin wrench | 1 |
| 3 | 9992658 | Open spanner 13 mm | 1 |
| 4 | 9992659 | Hex key 4 mm | 1 |
| 5 | 9992661 | Feeler gauge | 1 |
| 6 | 9992662 | Instructions, laminated | 1 |
| - | 3132663 | Service set <i>Pos. 2-6</i> | 1 |
| - | 7902647 | HYCON HRS Grease <i>We recommend Q8 ROSSINI EP2 or equivalent grease</i> | 1 |