

## P-540

# Hydraulischer Presskopf Hydraulic Crimping Head

**High-End-Modell in unserer neu entwickelten Reihe von hydraulischen Pressköpfen**

- Stabile und Kompakte Konstruktion
- Zum Anschluss an eine Hydraulikpumpe für einfachwirkende Werkzeuge
- 450 kN bei 700 bar  
540 kN bei 850 bar
- Hub: 32 mm
- Einsätze Ø75mm

**High-end model in our newly designed range of hydraulic crimping heads**

- Light weight and compact design
- For the connection to a hydraulic pump for single acting tools
- 450 kN at 10.000 PSI  
540 kN at 12.142 PSI
- Stroke: 32 mm
- Dies Ø75mm



Presseinsätze / Crimping die



Einsatzführung / Insert guide

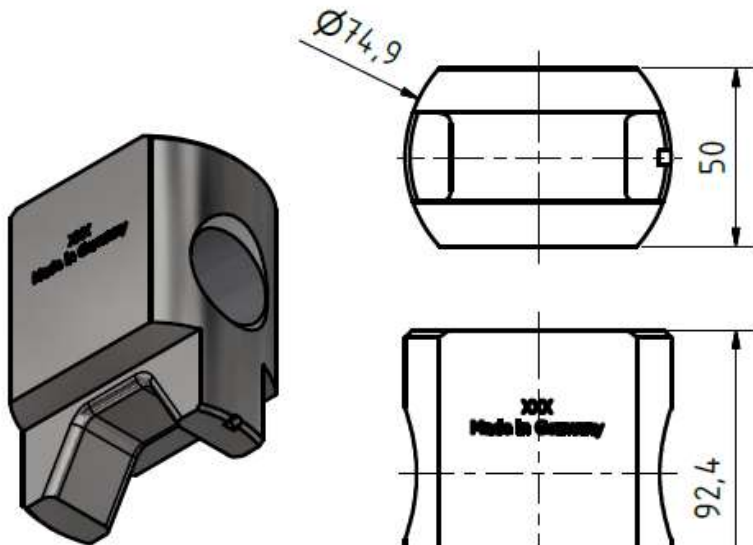


Typ Type	Presskraft Press Power kN	Kupfer DIN Copper DIN mm <sup>2</sup>	Aluminium Aluminum mm <sup>2</sup>	Abmessung Dimension mm	Gewicht Weight kg
P-540	450 kN @ 700 bar 540 kN @ 850 bar	1000	1000	260x135xH115	11,5

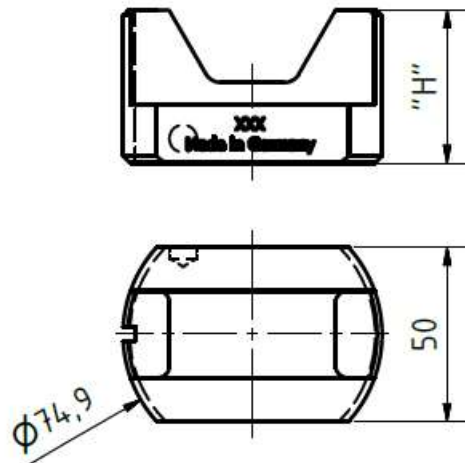
**P-450 / P-540**

**Presseinsätze Serie D75**

**Crimping dies series D75**



OT  
 Außenmaße: Ø75  
 Breite: 50  
 Höhe: 92,4  
 Bohrung: Ø30



UT  
 Außenmaße: Ø75  
 Breite: 50  
 Höhe: 39,5 bis 53  
 Bohrung: keine

Gewicht / Weight: ~2000 g

Einsatz / Insert

**P-450 / P-540**
**Presseinsätze Serie D75 (Ø75mm)**
**Crimping dies series D75 (Ø75mm)**


CU DIN



AL DIN


 AL/ST  
ACSR


ALDREY



Typ Type	Kennzahl Size code	Pressbreite Crimping width	Kupfer DIN zugentlastet Copper DIN non-tension	Kupfer DIN zugfest Copper DIN full-tension	Aluminium zugentlastet Aluminium non-tension	Aluminium zugfest Aluminium full-tension	Aluminium-Hülse Aluminium sleeve	Stahl-Hülse Steel sleeve	Aldreyseil Aldrey cable
		mm	mm <sup>2</sup>	mm <sup>2</sup>	mm <sup>2</sup>	mm <sup>2</sup>	mm <sup>2</sup>	mm <sup>2</sup>	mm <sup>2</sup>
PK21-D75-B14	21	14	---	---	---	---	---	57-75	---
PK22-D75-B14	22	14	150	120	---	---	---	---	---
PK22-D75-B40	22	14	---	---	95 + 120	95	95/15	---	---
PK23-D75-B14	23	14	---	---	---	---	---	76-92	---
PK25-D75-B14	25	14	185	150	---	---	---	---	---
PK25-D75-B40	25	40	---	---	150	120	44/32 50/30 120/20	120	120
PK27-D75-B14	27	14	---	---	185se	---	---	---	---
PK28-D75-B14	28	14	240	---	---	---	---	---	---
PK28-D75-B40	28	40	---	---	185	150 185	125/30 150/25	---	150 185
PK30-D75-B17	30	17	---	185	---	---	---	---	---
PK30-D75-B40	30	40	---	---	---	---	95/55 170/40 185/30	---	---
PK32-D75-B17	32	17	300	---	---	---	---	---	---
PK32-D75-B40	32	40	---	---	240	---	---	---	---
PK34-D75-B17	34	17	---	240	---	---	---	---	---
PK34-D75-B40	34	40	---	---	300	240	99/72 105/75 120/40 210/35 210/50 230/30 240/40	---	---

**P-450 / P-540**
**Presseinsätze Serie D75 (Ø75mm)**
**Crimping dies series D75 (Ø75mm)**


DIN



Typ Type	Kennzahl Size code	Pressbreite Crimping width	Kupfer DIN zugentlastet Copper DIN non-tension	Kupfer DIN zugfest Copper DIN full-tension	Aluminium zugentlastet Aluminum non-tension	Aluminium zugfest Aluminum full-tension	Aluminium-Hülse Aluminum sleeve	Stahl-Hülse Steel sleeve	Aldreyseil Aldrey cable
		mm	mm <sup>2</sup>	mm <sup>2</sup>	mm <sup>2</sup>	mm <sup>2</sup>	mm <sup>2</sup>	mm <sup>2</sup>	mm <sup>2</sup>
PK38-D75-B17	38	17	400	---	---	---	---	---	---
PK38-D75-B40	38	40	---	---	400	300	265/35 300/50 305/40 340/30	---	---
PK42-D75-B17	42	17	500	--	---	---	---	---	---
PK42-D75-B40	42	40	---	---	---	---	380/50 385/35	---	---
PK44-D75-B17	44	17	625	---	---	---	---	---	---
PK44-D75-B40	44	40	---	---	500	---	---	---	---
PK46-D75-B25	46	25	---	500	---	---	---	---	---
PK46-D75-B40	46	40	---	---	---	---	340/11 0 435/55 450/40	---	---
PK50-D75-B25	50	25	---	625	---	---	---	---	---
PK50-D75-B40	50	40	---	---	---	---	495/35 510/45 490/65	---	---
PK52-D75-B25	52	25	800	---	---	---	---	---	---
PK52-D75-B40	52	40	---	---	625	---	570/40 560/50 550/70	---	---
PK58-D75-B25	58	25	1000	800	800	---	650/45 680/85	---	---
PK60-D75-B17	60	17	1200	---	1000	---	---	---	---
PK60-D75-B25	60	25	---	---	1000	---	---	---	---
PK62-D75-B25	62	25	1200	1000	1200	---	---	---	---

DIN 48083 endet mit Kennzahl 58. Fragen Sie Ihren Lieferanten für Verbinder, mit welcher Kennzahl sein Verbinder gepresst werden muss.

DIN 48083 ends with code number 58. Ask your connector supplier which code number must be used to press their connector.